

RS28A500ASR

SAMSUNG

28 cu. ft. Smart Side-by-Side Refrigerator with Large Capacity



Signature Features

Large Capacity

A completely redesigned interior with 28 cu. ft. capacity that fits 10% more groceries than ever.*

*When compared to standard depth Samsung Side-by-Side model RS25J500D with 24.52 cu. ft. capacity.

Modern Design

A modern look featuring a minimalist exterior with signature flat door design and recessed handles that seamlessly blend into your kitchen.

Fingerprint Resistant Finish

A finish that withstands everyday smudges, so you spend less time cleaning.

Available Colors



Fingerprint Resistant Stainless Steel (shown)



Fingerprint Resistant Black Stainless Steel



Large Capacity



Modern Design

Design

- Large Capacity of 28 cu. ft.
- Modern Design
- Fingerprint Resistant Finish
- Bright LED Lighting
- Adjustable Top Freezer Shelf
- 4 Gallon Door Bins
- 2 Clear Drawers

Technology

- Wi-Fi Enabled
- Door Alarm
- Water Filter Indicator
- Sabbath Mode

Performance

- All-Around Cooling
- Automatic In-Door Ice Maker - Stores up to 4.0 lbs of ice

Rating

685 kWh/yr



ADA Compliant

RS28A500ASR

SAMSUNG

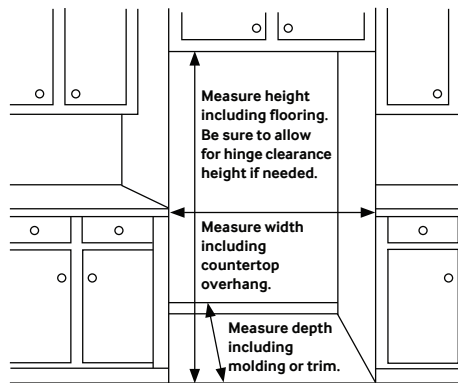
28 cu. ft. Smart Side-by-Side Refrigerator with Large Capacity

Installation Specifications

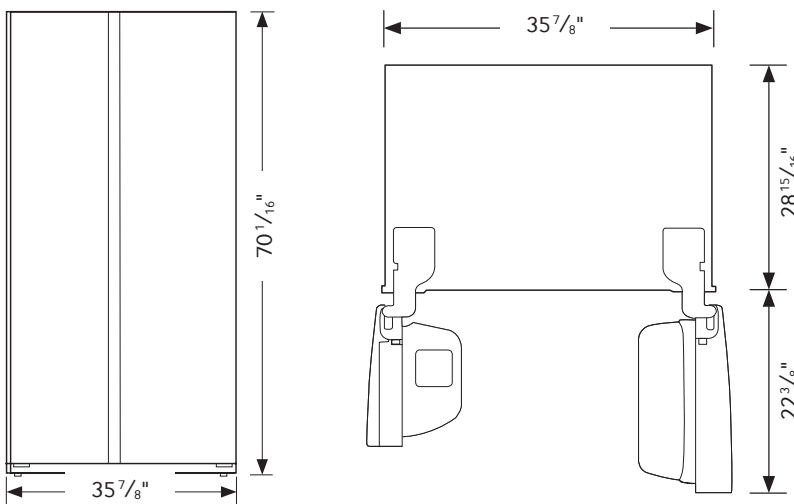
1. Measure the height, width and depth of the opening, making sure to include baseboards, molding tile, countertop overhang, etc. Check to be sure there is enough room to open the door (consider walls, islands or other obstacles when measuring).
2. Refer to illustration below to determine dimensions.
3. Allow 2.5" of clearance on hinge side of refrigerator when installing next to a wall where handle may make contact.
4. Allow 1" minimum clearance at rear for proper air circulation and water/electrical connections. Allow a 3/8" minimum clearance at sides and top for ease of installation.
5. Ensure each door and entryway in the home is wide enough for the refrigerator to be moved through easily.

For optimal usage and ability to open refrigerator doors completely, do not install next to a wall.

Please note: The following dimension and cutout information is for planning purposes only. For complete installation details, consult manual packed with product or download manual online at samsung.com.



Dimensions



Total Capacity: 28 cu. ft.

Refrigerator: 17.9 cu. ft.

- 4 Tempered Glass Shelves
- 2 Drawers
- 5 Door Bins
 - 4 Gallon Bins
 - 1 Door Bin
- Top LED Lighting

Freezer: 10.1 cu. ft.

- Automatic In-Door Ice Maker
- 5 Tempered Glass Shelves
- 1 Drawer
- 4 Door Bins
- Top LED Lighting

Accessories

Water Filter: HAF-QIN

Warranty

One (1) Year Parts and Labor on Refrigerator
Five (5) Years Parts and Labor on Sealed Refrigeration System Only*
Ten (10) Years Parts and Five (5) Years Labor on Digital Inverter Compressor

*Compressor, evaporator, condenser, drier and connecting tubing.

Product Dimensions & Weight

Dimensions (WxHxD with hinges, recessed handles, and doors): 35⁷/₈" x 70¹/₁₆" x 33¹/₂"

Dimensions (WxHxD without hinges and door): 35⁷/₈" x 68⁵/₈" x 28¹⁵/₁₆"

Weight: 242.5 lbs

Shipping Dimensions & Weight (WxHxD)

Dimensions: 37³/₄" x 75³/₈" x 35"

Weight: 251 lbs

Color

Fingerprint Resistant
Stainless Steel

Model

RS28A500ASR

UPC Code

887276467825

Fingerprint Resistant
Black Stainless Steel

RS28A500ASG

887276467818