

NV51R5511D

30" Double Wall Oven

SAMSUNG



Signature Features

5.1/5.1 cu. ft. Capacity

- Accommodates a roast, multiple casserole dishes, or two full racks of cookies.

Digital Touch Controls

- Touch Controls offer an integrated and premium design that is easy to clean.

Blue Ceramic Interior

- Blue Ceramic enamel interior offers a premium look and feel.

Available Colors



Stainless Steel (shown)



Fingerprint Resistant
Black Stainless Steel



Digital Touch Controls



Blue Ceramic Interior

Features

- 5.1/5.1 cu. ft. Capacity
- Glass Touch Controls
- Steam Clean & Self-Clean
- Halogen Lights
- Easy View Window
- 2 Heavy-Duty Racks
- Broil Element
- 6 Rack Positions
- Drop-Down Door Design

Convenience

- Sabbath Mode
- Hidden Heating Element
- Delay Start
- Child Safety Lock
- Proofing
- Warming Mode
- Kitchen Timer

NV51R5511D

SAMSUNG

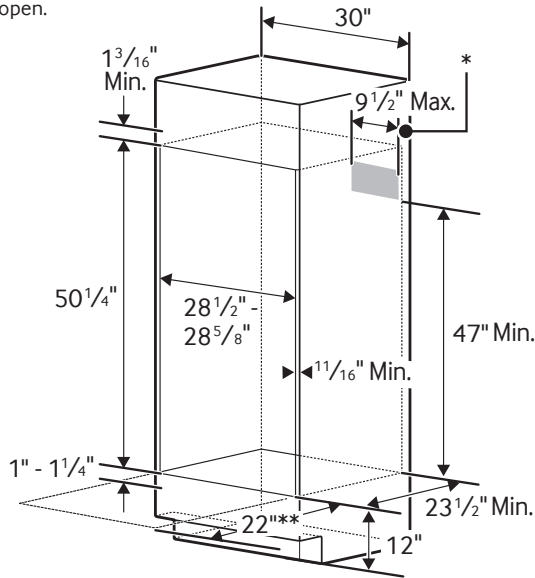
30" Double Wall Oven

Cabinet Dimensions

Double Oven Installed in Cabinet

*Junction Box

**Allow a minimum of 22" for clearance to adjacent corners, drawers, walls, etc. when door is open.



Total Capacity: 5.1/5.1 cu. ft.

Upper Oven: 5.1 cu. ft.

Lower Oven: 5.1 cu. ft.

- Hidden Bake Element
- Bake: 175°F–550°F
- Broil: Low-High
- Proofing
- Sabbath Mode

Warranty

One (1) Year All Parts and Labor

Product Dimensions & Weight (WxHxD)

Outside (Max) Wall Oven Dimensions: 29³/₄" x 51¹/₂" x 26⁵/₈"

Wall Oven Cut-Out Dimensions: 28¹/₂" x 50¹/₄" x 23¹/₂"

Weight: 236.3 lbs

Shipping Dimensions & Weight (WxHxD)

Dimensions: 33¹¹/₁₆" x 56³/₈" x 29¹³/₁₆"

Weight: 265.2 lbs

Color

Stainless Steel

Model

NV51R5511DS/AA

UPC Code

887276326887

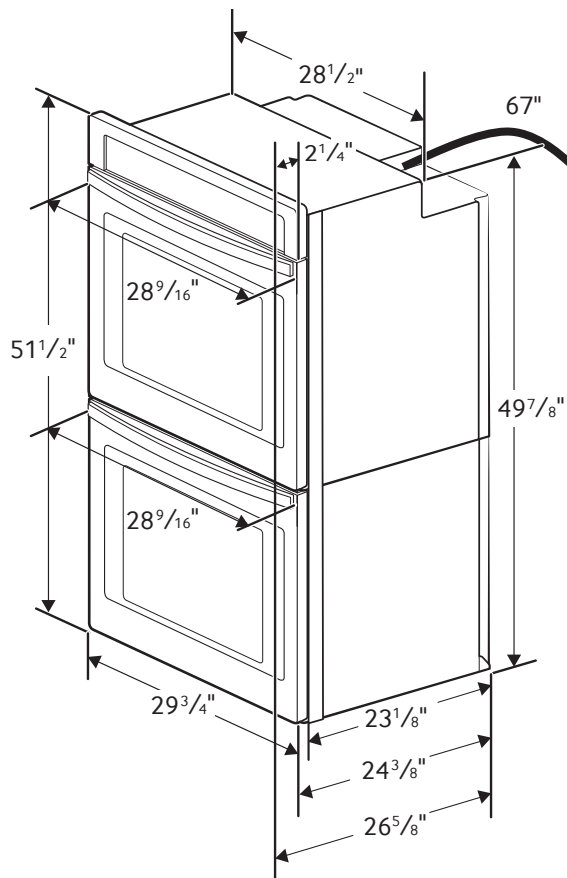
Fingerprint Resistant

Black Stainless Steel

NV51R5511DG/AA

887276326870

Product Dimensions



KW RATING	
240V	8.9 kW
208V	6.7 kW
BREAKER SIZE	
240V	40 Amps
208V	40 Amps

Actual color may vary. Design, specifications, and color availability are subject to change without notice. Non-metric weights and measurements are approximate.

©2019 Samsung Electronics America, Inc. 85 Challenger Road, Ridgefield Park, NJ 07660. Tel: 800-SAMSUNG. samsung.com. Samsung is a registered trademark of Samsung Electronics Co. Ltd.