

# NA24T4230FS

SAMSUNG

## 24" Gas Cooktop



### Signature Features

#### 4-Burner Flexible Cooktop

- Right Front: 5K BTU (Simmer)
- Left Front: 5K BTU (Simmer)
- Right Rear: 10.5K BTU
- Left Rear: 12.5K BTU (Power Burner)

#### Front Linear Controls

- Front Controls are easy to reach.

#### Continuous Cast Iron Grates

- Continuous edge-to-edge cast iron grates cover the whole cooktop surface and let you move even your heaviest cookware across the cooktop with ease.

### Available Color



Stainless Steel



Wok Ring



Front Linear Controls

### Features

- Powerful 4-Burner Flexible Cooktop
  - Right Front: 5K BTU (Simmer)
  - Left Front: 5K BTU (Simmer)
  - Right Rear: 10.5K BTU
  - Left Rear: 12.5K BTU (Power Burner)
- Front Linear Controls
- Continuous Cast Iron Grates
- Wok Ring
- Sealed Burners
- Flame Failure Device

### Convenience

- LP Conversion Kit

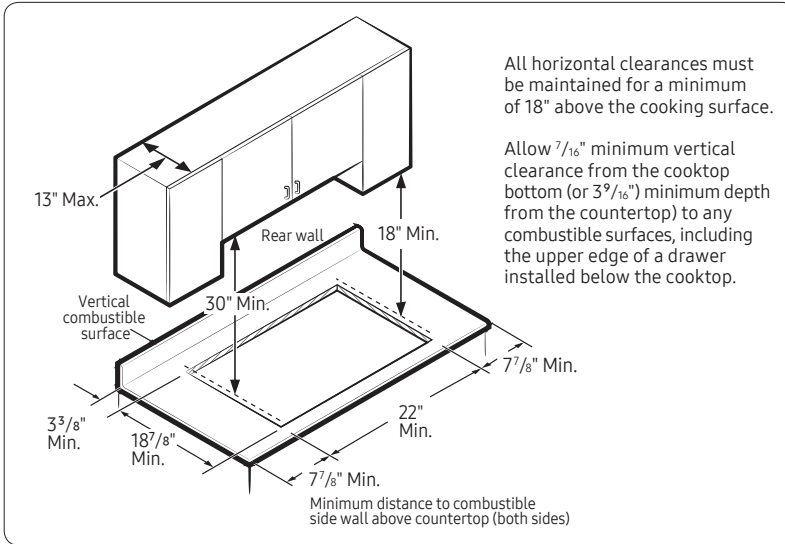
# NA24T4230FS

**SAMSUNG**

## 24" Gas Cooktop

### Installation Requirements

Countertop cut-out and minimum clearance dimensions:



### Total Power (BTU)

33K

### Power Source

120V / 60 Hz / 1A

### Gas Cooktop (BTU)

- Right Front: 5K BTU (Simmer)
- Left Front: 5K BTU (Simmer)
- Right Rear: 10.5K BTU
- Left Rear: 12.5K BTU (Power Burner)

### Warranty

One (1) Year All Parts and Labor

### Product Dimensions & Weight (WxHxD)

Outside (Max) Cooktop Dimensions: 23 $\frac{5}{8}$ " x 4 $\frac{1}{2}$ " x 20 $\frac{1}{16}$ "

Cooktop Cut-Out Dimensions: 22" x 2" x 18 $\frac{7}{8}$ "

Weight: 29.5 lbs

### Shipping Dimensions & Weight (WxHxD)

Dimensions: 27 $\frac{1}{4}$ " x 7 $\frac{1}{2}$ " x 22 $\frac{7}{8}$ "

Weight: 34.8 lbs

### Color

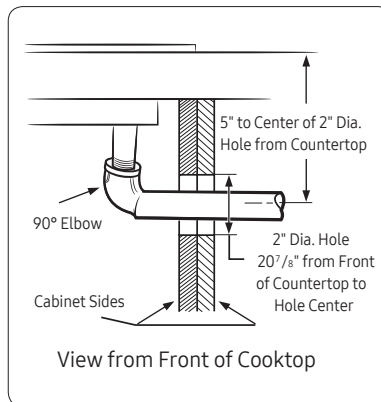
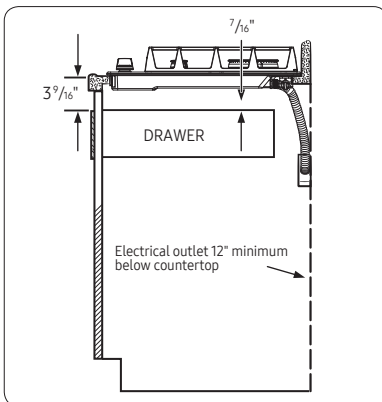
Stainless Steel

### Model #

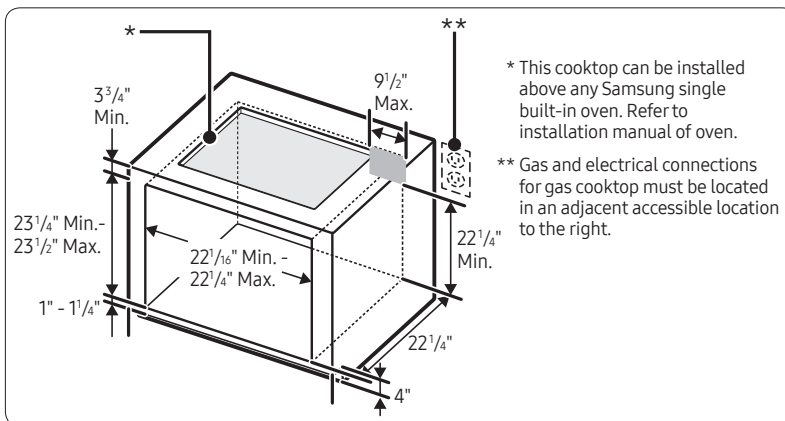
NA24T4230FS

### UPC Code

887276420714



### Installing Over a Single Oven



### Cooktop Dimensions

