

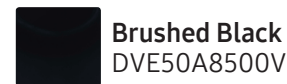
DVE50A8500V

Samsung 7.5 cu. ft. Smart Electric Dryer with Steam Sanitize+

SAMSUNG



Available Color



Features

- Wi-Fi Connectivity¹
- Steam Sanitize+
- ENERGY STAR® Certified
- Sensor Dry
- Vent Sensor
- Smart Care
- Interior Drum Light
- Reversible Door
- Large 7.5 cu. ft. Capacity
- Dual Heaters
- Stainless Steel Drum
- Lint Filter Indicator
- ADA Compliant²
- Accessibility (AUI, Braille)
- Drying Rack
- 22 Total Drying Cycles
- 10 Options
- 5 Temperature Settings
- 4-Way Venting

Convenience

- Child Lock
- Filter Check Indicator

Ratings



ENERGY STAR® Rated:
608 kWh/yr

Electrical Requirements

120 V / 240 V / 60 Hz
30 Amps

Specifications

12 Preset Drying Cycles:

Refresh, Steam Sanitize+, Normal, Heavy Duty, Permanent Press, Activewear, Bedding, Delicates, Time Dry, Air Fluff, Quick Dry, Downloaded

10 Downloadable Drying Cycles:

Wrinkle Away, Eco Normal, Towels, Wool, Sanitize, Shirts, Denim, Small Load Care, Low Temp, Rack Dry

10 Options:

Mixed Load Bell, Wrinkle Prevent, Smart Control, Adjust Time (Up), Adjust Time (Down), Eco Dry, Sound, Drum Light, Smart Care, Child Lock

5 Temperature Settings:

High, Medium High, Medium, Medium Low, Low

5 Dry Levels:

More Dry, Normal-More Dry, Normal Dry, Normal-Less Dry, Less Dry

Warranty

One (1) Year Parts and Labor

Product Dimensions & Weight (WxHxD)

Dimensions: 27" x 38³/₄" x 31³/₄"

Weight: 123.5 lbs

Shipping Dimensions & Weight (WxHxD)

Dimensions: 29³/₈" x 42⁹/₁₆" x 34¹¹/₁₆"

Weight: 130.1 lbs

Electric Dryer	Model #	UPC Code
Brushed Black	DVE50A8500V	887276549569

Gas Dryer	Model #	UPC Code
Brushed Black	DVG50A8500V	887276549576

Matching Washer	Model #	UPC Code
Brushed Black	WF50A8500AV	887276540726

Optional Accessories	Model #	UPC Code
Brushed Black Pedestal	WE402NV	887276310145
Brushed Black Riser	WE272NV	887276197630
Stacking Kit	SKK-8K	887276344034
Vent Kit	DV-2A	887276146416

¹Requires wireless network, Samsung account and Samsung SmartThings App. The Samsung Smart Things App supports Android OS 4.0 (ICS) or later which is optimized for Samsung smartphones (Galaxy S and Galaxy Note series). This app also supports iOS 7 or later for iPhone models. Samsung SmartThings App available in App Store and Play Store.

²ADA Compliant when using 27" wide riser. (Riser model codes: WE272NV, WE272NW, WE272NC)

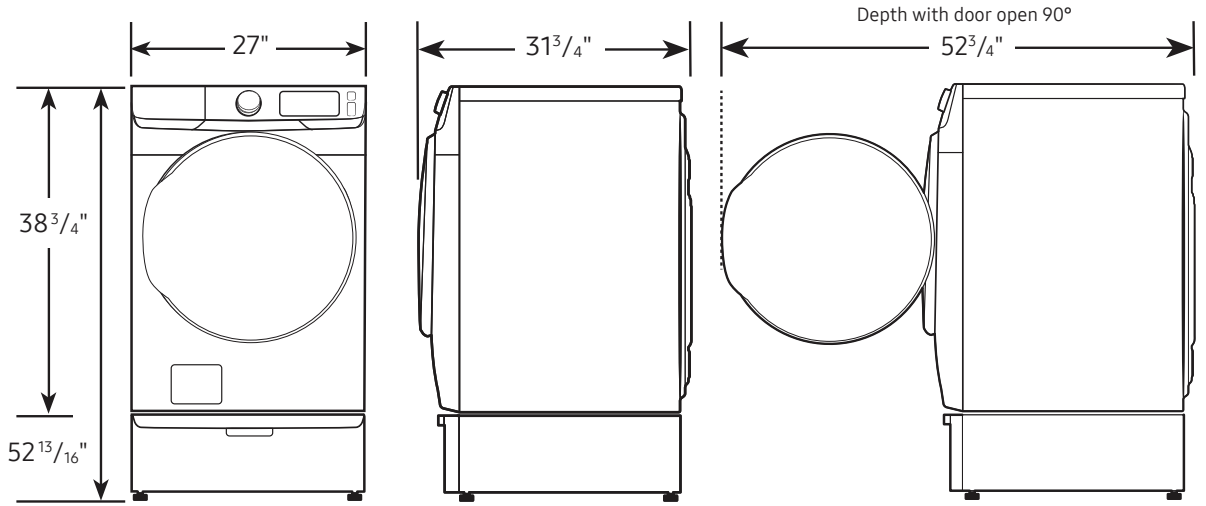
DVE50A8500V

SAMSUNG

Samsung 7.5 cu. ft. Smart Electric Dryer with Steam Sanitize+

Dimensions

Required dimensions for installation with pedestal:

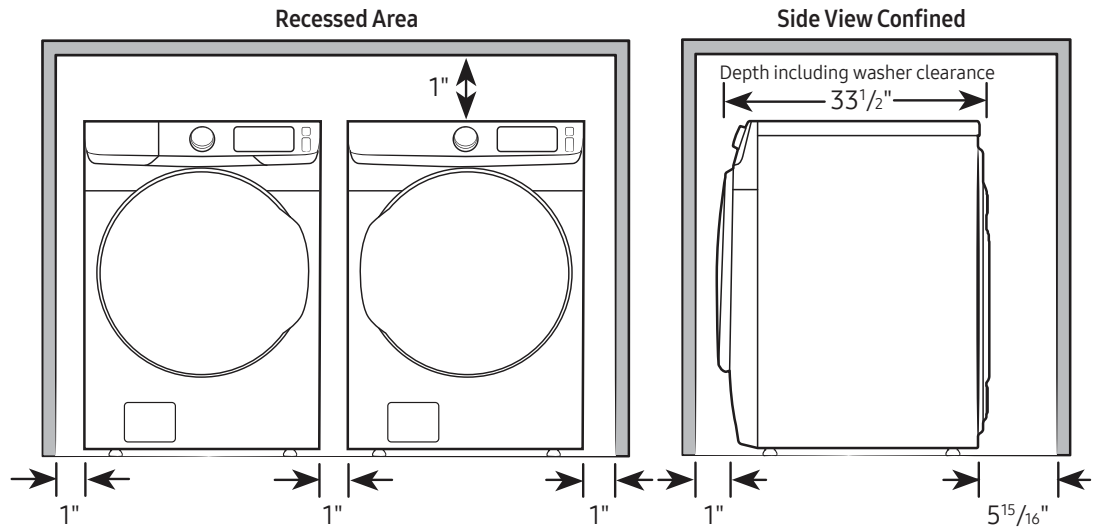


Installation Specifications – Side-by-Side

If the washer and dryer are installed together or the dryer alone, the closet front must have two unobstructed air openings for a combined minimum total area of 72-inch². Your washer alone does not require a specific air opening.

Alcove or closet installation

Minimum clearance for closet and alcove installations:



Connection Dimensions

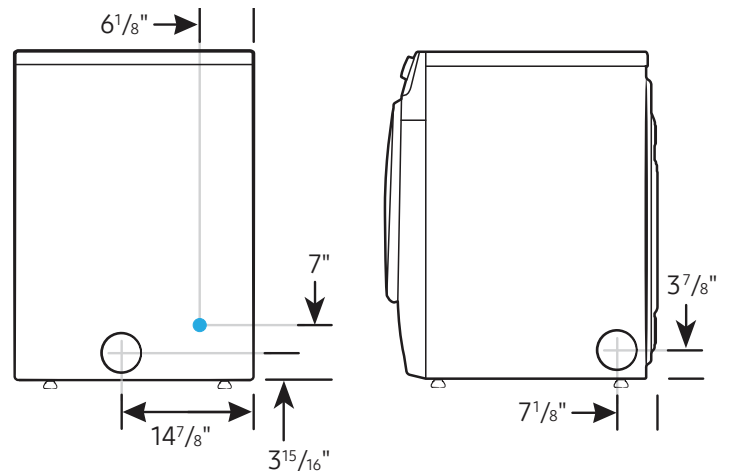
Back and side view of dryer

LEGEND:

- Cold Water Connection

Actual color may vary. Design, specifications, and color availability are subject to change without notice. Non-metric weights and measurements are approximate.

©2021 Samsung Electronics America, Inc., 85 Challenger Road, Ridgefield Park, NJ 07660. Tel: 800-SAMSUNG.samsung.com. Samsung is a registered trademark of Samsung Electronics Co., Ltd.



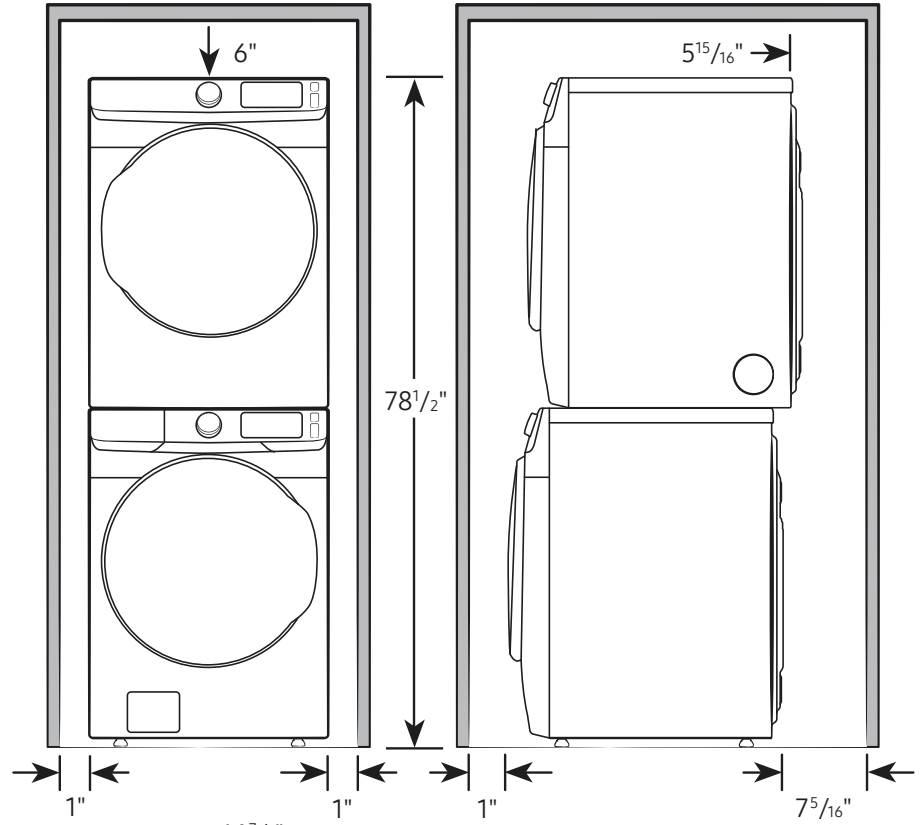
DVE50A8500V

SAMSUNG

Samsung 7.5 cu. ft. Smart Electric Dryer with Steam Sanitize+

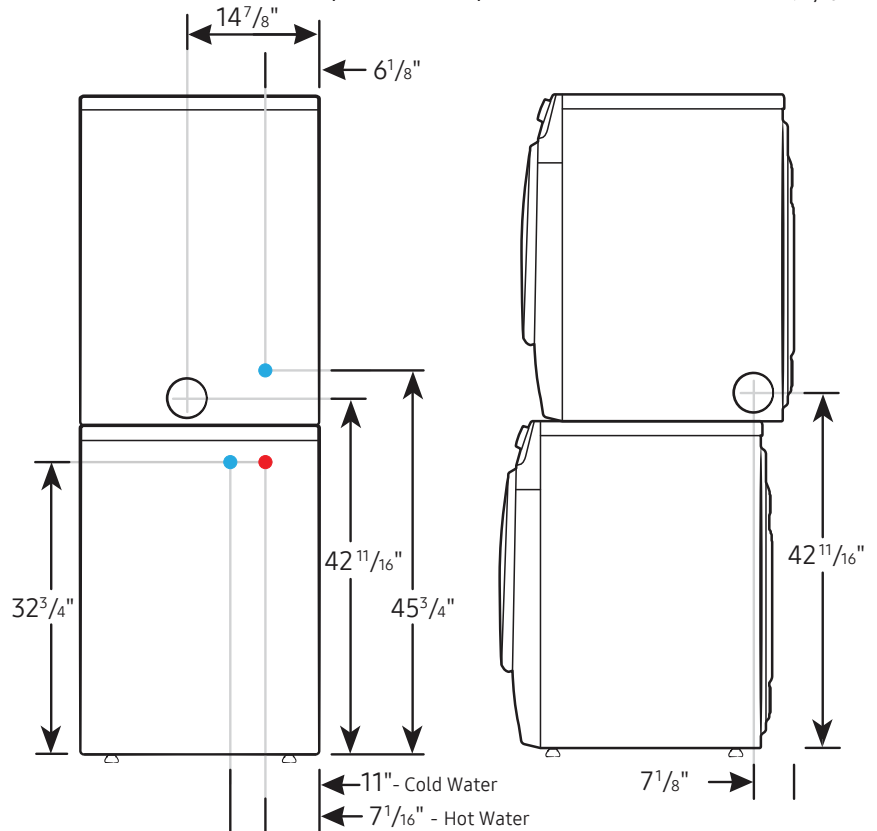
Installation Specifications – Stacked Pair

Clearances indicated are for stacked pairs. The closet front must have two unobstructed air openings for a combined minimum total area of 72-inch².



Connection Dimensions

Back and side views of stacked pair



- LEGEND:**
- Cold Water Connection
 - Hot Water Connection

Actual color may vary. Design, specifications, and color availability are subject to change without notice. Non-metric weights and measurements are approximate.

©2021 Samsung Electronics America, Inc., 85 Challenger Road, Ridgefield Park, NJ 07660. Tel: 800-SAMSUNG.samsung.com. Samsung is a registered trademark of Samsung Electronics Co., Ltd.