


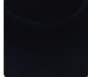
# DVG45A6400W | DVG45A6400V

# SAMSUNG

## Samsung 7.5 cu. ft. Smart Dial Gas Dryer with Super Speed Dry



### Available Colors

-  **White**  
DVG45A6400W
-  **Brushed Black**  
DVG45A6400V

### Features

- AI Powered Smart Dial
- Super Speed Dry
- Steam Sanitize+
- CleanGuard™<sup>1</sup>
- Wi-Fi Connectivity<sup>2</sup>
- MultiControl™
- ENERGY STAR® Certified
- Sensor Dry
- Vent Sensor
- Large 7.5 cu. ft. Capacity
- Interior Drum Light
- Reversible Door
- Lint Filter Indicator
- ADA Compliant<sup>3</sup>
- 19 Preset Drying Cycles
- 14 Options
- 5 Temperature Settings
- 9 Timed Dry Settings
- 3-Way Venting

### Convenience

- Child Lock
- Filter Check Indicator

### Electrical Requirements

120 V / 60 Hz  
15 Amps



### Specifications

#### 19 Preset Drying Cycles:

Refresh, Wrinkle Away, Steam Sanitize+, Super Speed, Eco Normal, Normal, Heavy Duty, Towels, Permanent Press, Activewear, Bedding, Delicates, Wool, Shirts, Denim, Time Dry, Air Fluff, Quick Dry, Rack Dry

#### 14 Options:

Mixed Load Bell, Wrinkle Prevent, AntiStatic, My Cycle, Smart Control, Eco Dry, Drum Light, Child Lock, Alarm, AI Pattern, Wi-Fi, Language, Vent Blockage Test, Factory Reset

#### 5 Temperature Settings:

High, Medium, Medium Low, Low, Extra Low

#### 5 Dry Levels:

Very Dry, More Dry, Normal Dry, Less Dry, Damp Dry

#### Warranty

One (1) Year Parts and Labor

#### Product Dimensions & Weight (WxHxD)

Dimensions: 27" x 38<sup>3</sup>/<sub>4</sub>" x 31<sup>5</sup>/<sub>16</sub>"  
Weight: 123.5 lbs

#### Shipping Dimensions & Weight (WxHxD)

Dimensions: 29<sup>3</sup>/<sub>8</sub>" x 42<sup>9</sup>/<sub>16</sub>" x 33<sup>1</sup>/<sub>2</sub>"  
Weight: 130.1 lbs

Gas Dryer	Model #	UPC Code
White	DVG45A6400W	887276557786
Brushed Black	DVG45A6400V	887276557779
Electric Dryer		
White	DVE45A6400W	887276557717
Brushed Black	DVE45A6400V	887276557700
Matching Washer		
White	WF45A6400AW	887276557878
Brushed Black	WF45A6400AV	887276557861

Optional Accessories	Model #	UPC Code
White Pedestal	WE402NW	887276310152
Brushed Black Pedestal	WE402NV	887276310145
White Riser	WE272NW	887276197647
Brushed Black Riser	WE272NV	887276197630
MultiControl™	DV-MCK	887276528953
Stacking Kit	SKK-8K	887276344034
Vent Kit	DV-2A	887276146416
Gas to Propane Converter Kit	LPKIT-4	887276352787

<sup>1</sup>Antimicrobial treatment does not protect users or other items against bacteria, viruses, germs, or other disease organisms.

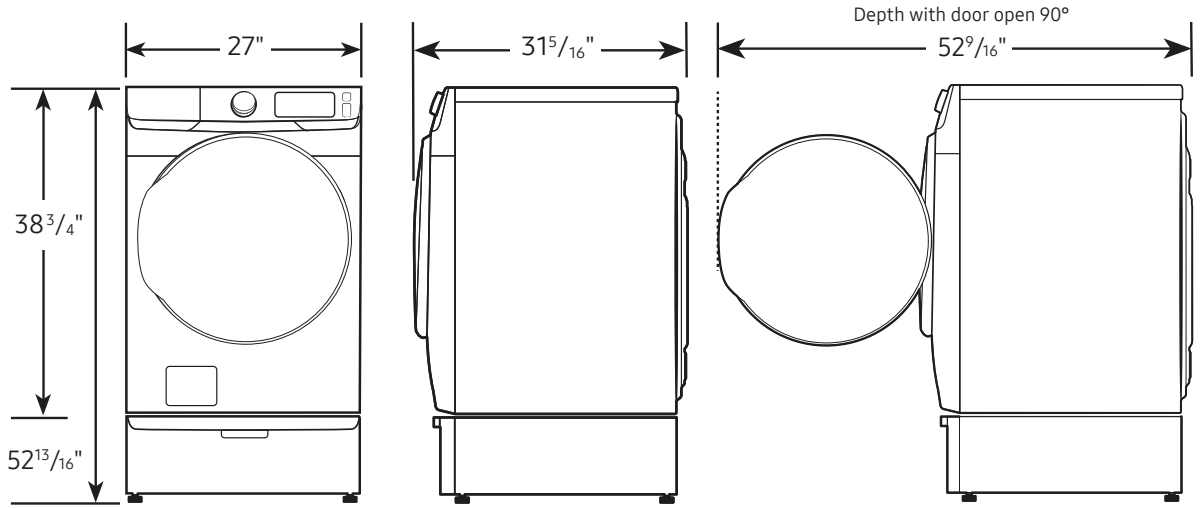
<sup>2</sup>Requires wireless network, Samsung account and Samsung SmartThings App. The Samsung Smart Things App supports Android OS 4.0 (ICS) or later which is optimized for Samsung smartphones (Galaxy S and Galaxy Note series). This app also supports iOS 7 or later for iPhone models. Samsung SmartThings App available in App Store and Play Store.

<sup>3</sup>ADA Compliant when using 27" wide riser. (Riser model codes: WE272NV, WE272NW, WE272NC)

Samsung 7.5 cu. ft. Smart Dial Gas Dryer  
with Super Speed Dry

**Dimensions**

Required dimensions for installation with pedestal:

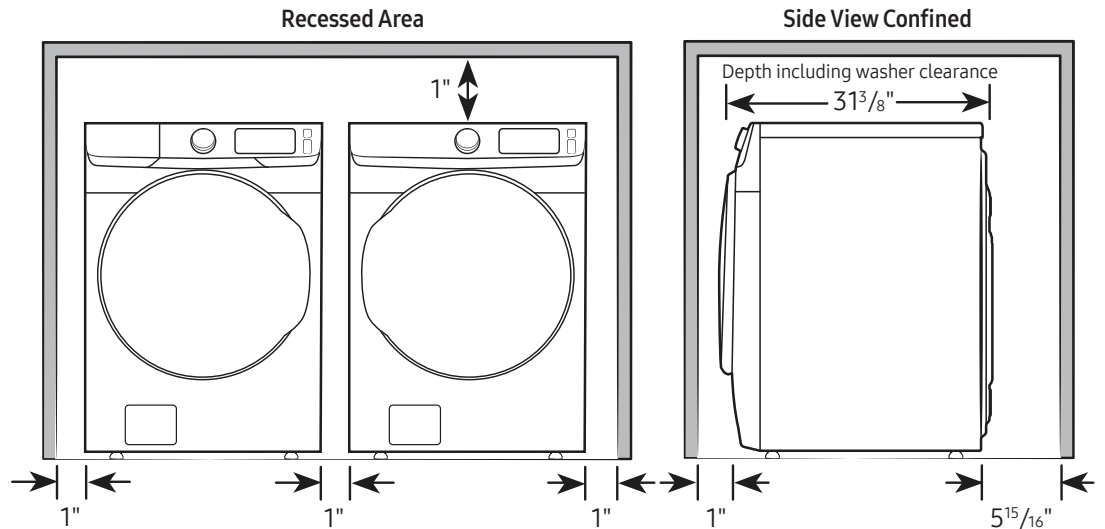


**Installation Specifications – Side-by-Side**

If the washer and dryer are installed together or the dryer alone, the closet front must have two unobstructed air openings for a combined minimum total area of 72-inch<sup>2</sup>. Your washer alone does not require a specific air opening.

Alcove or closet installation

Minimum clearance for closet and alcove installations:



**Connection Dimensions**

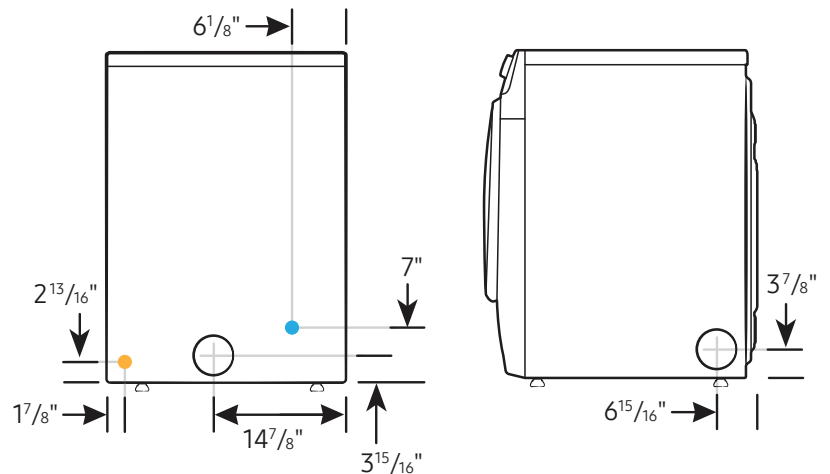
Back and side view of dryer

**LEGEND:**

- Cold Water Connection
- Gas Connection

Actual color may vary. Design, specifications, and color availability are subject to change without notice. Non-metric weights and measurements are approximate.

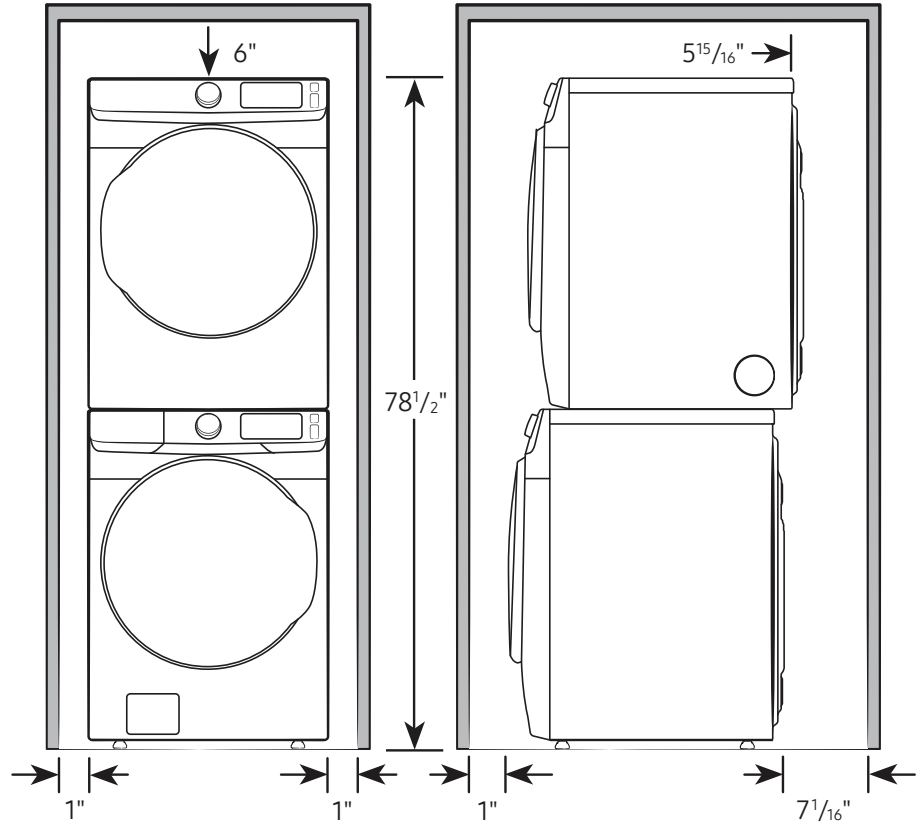
©2021 Samsung Electronics America, Inc., 85 Challenger Road, Ridgefield Park, NJ 07660. Tel: 800-SAMSUNG. samsung.com. Samsung is a registered trademark of Samsung Electronics Co., Ltd.



Samsung 7.5 cu. ft. Smart Dial Gas Dryer  
with Super Speed Dry

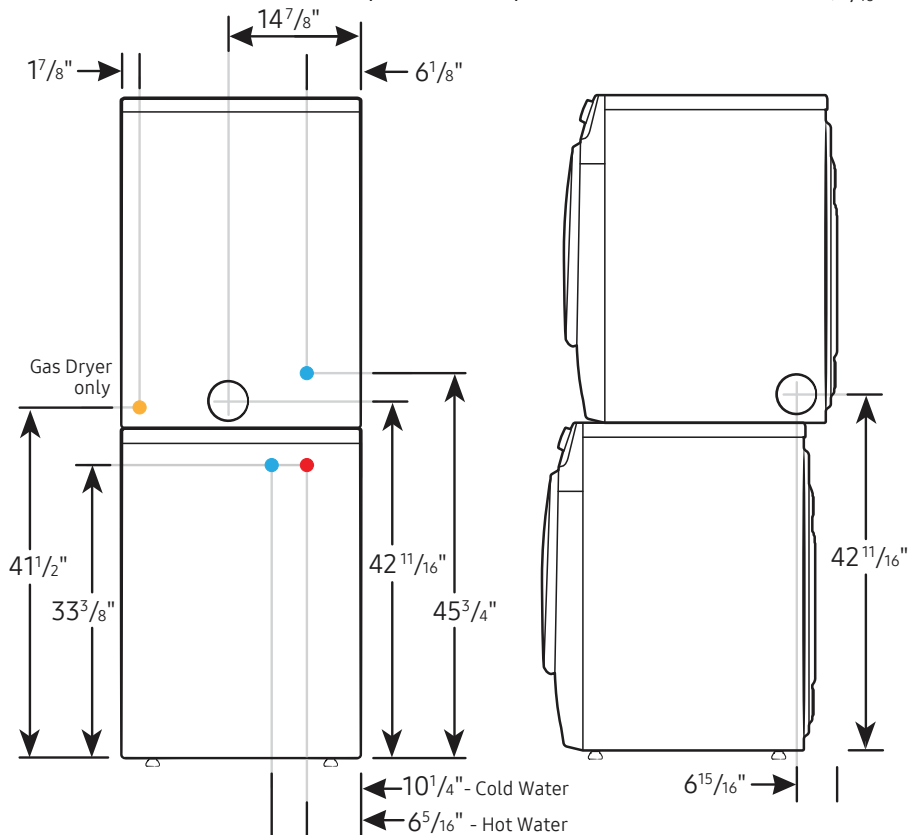
**Installation Specifications – Stacked Pair**

Clearances indicated are for stacked pairs. The closet front must have two unobstructed air openings for a combined minimum total area of 72-inch<sup>2</sup>.



**Connection Dimensions**

Back and side views of stacked pair



- LEGEND:**
- Cold Water Connection
  - Hot Water Connection
  - Gas Connection

Actual color may vary. Design, specifications, and color availability are subject to change without notice. Non-metric weights and measurements are approximate.

©2021 Samsung Electronics America, Inc., 85 Challenger Road, Ridgefield Park, NJ 07660. Tel: 800-SAMSUNG.samsung.com. Samsung is a registered trademark of Samsung Electronics Co., Ltd.