

WF45T6200AW

SAMSUNG

Samsung Front Load Washer with Super Speed

4.5 cu. ft. Capacity DOE



Signature Features

Super Speed

- Uses advanced cleaning technologies to wash a full load of laundry in just 30 minutes¹, without sacrificing cleaning performance.

Steam

- Powerful stain removal without pretreatment, while still gentle on your clothing.

Self Clean+

- Keeps your washer drum fresh and clean by eliminating 99% of bacteria². Will also send a reminder to clean the drum every forty wash cycles.

Available Color



White



Super Speed



Steam

Features

- Super Speed
- Steam
- Self Clean+
- Smart Care³
- VRT Plus™ Technology
- Swirl+ Drum Design
- Closet-Depth Fit⁴
- Stackability
- Internal Water Heater
- 1200 RPM Maximum Spin Speed
- Direct Drive Motor
- 10 Preset Washing Cycles

- 8 Additional Washing Options
- 5 Temperature Levels
- Crystal Blue Door
- LED Display: Ice Blue
- 24-Hour Delay End

Convenience

- Child Lock
- Delay End
- Dispenser Trays: Main Wash, Softener, Bleach

Rating



ENERGY STAR®-rated
CEE Tier 2
IMEF = 2.92
IWF = 2.9



ADA Compliant⁵

¹Based on using Super Speed on a normal cycle with an 8lb load.

²Based on testing by Intertek of the Self Clean+ cycle on the WF6000R.

³Requires Samsung Smart Washer/Dryer App. The Samsung Smart Washer/Dryer app supports Android OS 2.3.6 or later and iOS 3 or later for iPhone models. Smart Washer/Dryer app available in App Store and Play Store.

⁴Designed to fit a 40" installation depth.

⁵ADA Compliant when using a Samsung 27" wide riser (WE272NW, WE272NV, WE272NC).

WF45T6200AW

SAMSUNG

Samsung Front Load Washer with Super Speed

4.5 cu. ft. Capacity DOE

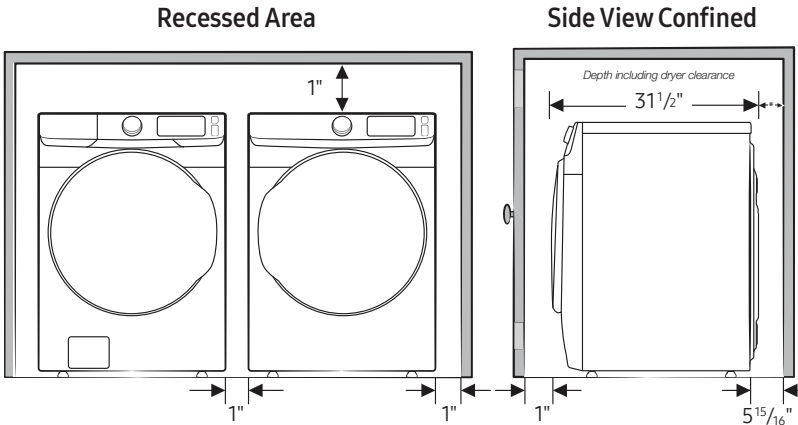
Installation Specifications

If the washer and dryer are installed together or the dryer alone, the closet front must have two unobstructed air openings for a combined minimum total area of 72-inch² (see stacked build below). Your washer alone does not require a specific air opening.

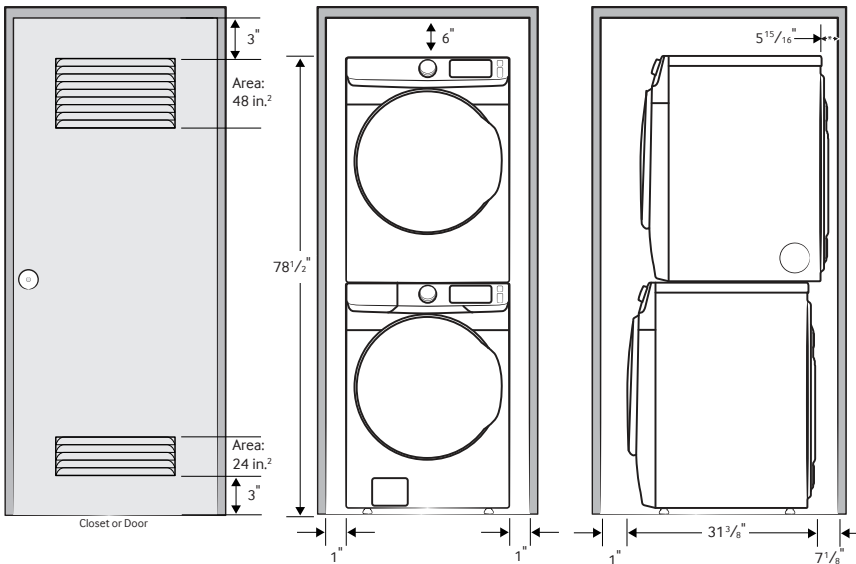
*Required spacing (External exhaust elbow may require additional space.)

1. Alcove or closet installation

Minimum Clearance for Closet and Alcove Installations:

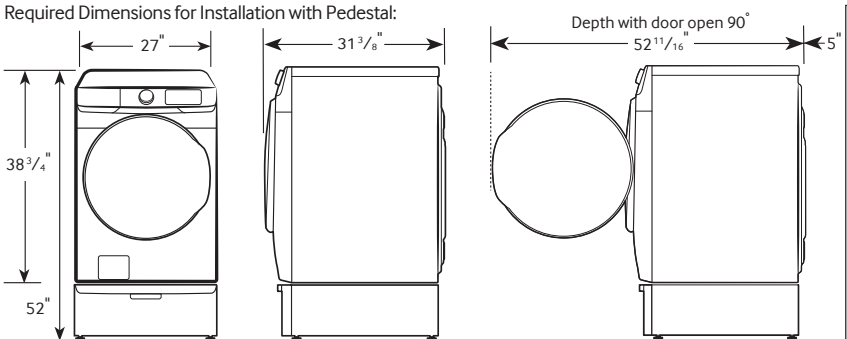


2. With stacked washer and dryer



Dimensions

Required Dimensions for Installation with Pedestal:



Actual color may vary. Design, specifications, and color availability are subject to change without notice. Non-metric weights and measurements are approximate.

©2020 Samsung Electronics America, Inc., 85 Challenger Road, Ridgefield Park, NJ 07660. Tel: 800-SAMSUNG. samsung.com. Samsung is a registered trademark of Samsung Electronics Co., Ltd.

10 Preset Washing Cycles:

Normal, Heavy Duty, Bedding, Quick Wash, Permanent Press, Delicates, Whites, Sanitize, Rinse and Spin, Self Clean+

8 Additional Washing Options:

Presoak, Steam, Delay End, Super Speed, Smart Care, Sound, Child Lock, Spin Only

5 Temperature Levels:

Hot, Warmer, Warm, Cool, Cold

5 Spin Speeds:

High, Medium High, Medium, Low, No Spin

5 Soil Levels:

Heavy, Medium Heavy, Normal, Medium Low, Light

Dispenser Trays:

Main Wash, Softener, Bleach

Warranty

One (1) Year Parts and Labor

Three (3) Years Stainless Steel Drum (Part Only)

Ten (10) Years Direct Drive Motor (Part Only)

Product Dimensions & Weight (WxHxD)

Dimensions: 27" x 38 3/4" x 31 3/8"

Weight: 201 lbs

Shipping Dimensions & Weight (WxHxD)

Dimensions: 29 3/8" x 42 3/8" x 34 1/8"

Weight: 205 lbs

Color

White

Model

WF45T6200AW

UPC Code

887276407036

Matching Dryer (Electric/Gas)

White

DVE45T6200W

887276399324

White

DVG45T6200W

887276399294

Pedestal

White

WE402NW

887276310152

Riser

White

WE272NW

887276197647

Accessories

Stacking Kit

SKK-8K

887276344034