

# WA52M7750AV

SAMSUNG

## Samsung activewash™ Top-Load Washer

5.2 cu. ft. Capacity DOE



### Signature Features

#### activewash™

- Built-in sink for pre-treatment.

#### Steam Wash

- Uses the power of steam to remove stains without pre-treatment.

#### VRT Plus™ Technology

- Reduces vibration 40% more than standard VRT™ for quiet washing.

### Available Colors



Black Stainless Steel (shown)



White



activewash™



Steam Wash

### Features

- activewash™
- Steam Wash
- VRT Plus™ Technology
- 5.2 cu. ft. Capacity
- Self Clean
- Smart Care
- Swirl Drum Interior
- EZ Drawer Dispenser
- 800 RPM Maximum Spin Speed
- Stainless Steel Pulsator
- Direct Drive Motor
- 13 Preset Wash Cycles
- 10 Options
- LED Display: Ice Blue
- Door Lid: Chrome Deco Transparent Glass
- Soft-Close Lid

### Convenience

- Child Lock
- Delay End
- Dispenser Trays: Main Wash, Softener, Bleach (Manual)

### Rating



ENERGY STAR®-rated  
IMEF = 2.06  
IWF = 4.30  
165 kWh/yr

# WA52M7750AV

# SAMSUNG

## Samsung activewash™ Top-Load Washer

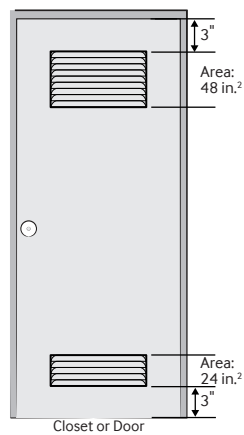
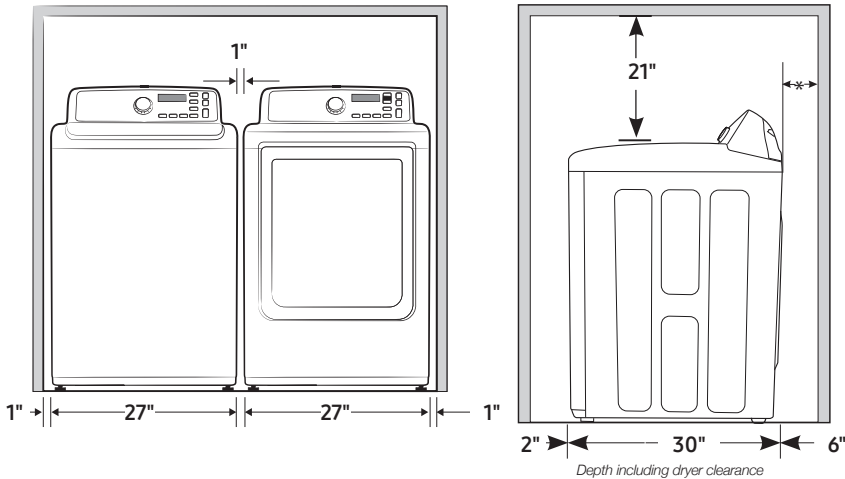
5.2 cu. ft. Capacity DOE

### Installation Specifications

#### Alcove or closet installation

Recessed Area

Side View Confined



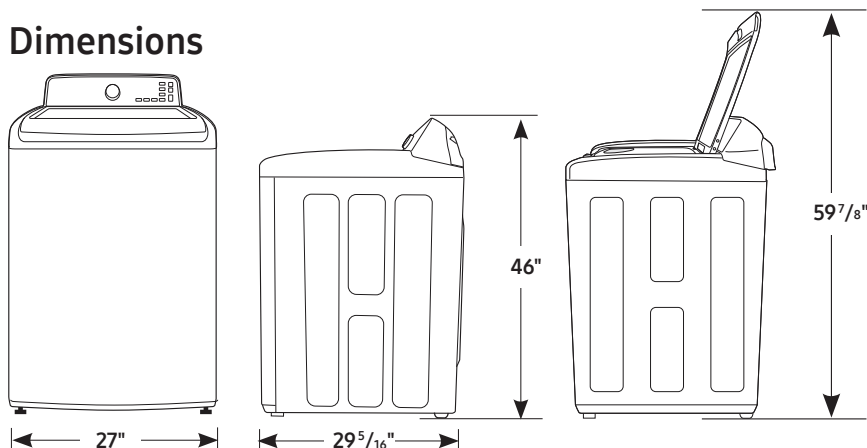
#### Minimum clearances for closets and alcoves:

Sides – 1"  
Top – 21"  
Rear – 6"  
Closet Front – 2"

If the washer and dryer are installed together, the closet front must have at least a 72-inch<sup>2</sup> unobstructed air opening. Your washer alone does not require a specific air opening.

\*Required spacing (External exhaust elbow may require additional space.)

### Dimensions



#### 13 Preset Wash Cycles:

Normal, Bedding/WaterProof, Heavy Duty, Permanent Press, Steam Sanitize, Colors/Darks, Brilliant Whites, Active Wear, Delicates/Hand Wash, Quick Wash, Rinse + Spin, Spin Only, Deep Wash

#### 10 Options:

Self Clean, Delay End, My Cycle, Pre Soak, Extra Rinse, Sound On/Off, Child Lock, Fabric Softener, Smart Care, Eco Plus

#### 6 Temperature Settings:

Extra Hot, Hot, Warm, Eco Warm, Cold, Cool

#### 5 Spin Settings:

Extra High, High, Medium, Low, No Spin

#### 5 Soil Settings:

Heavy, Heavy Medium, Normal, Low Medium, Light

#### 2 Sound Level Settings:

On/Off

#### Dispenser Trays:

Main Wash, Softener, Bleach (Manual)

#### Warranty

One (1) Year Parts and Labor  
Three (3) Years Stainless Steel Tub (Part Only)  
Ten (10) Years Direct Drive Motor (Part Only)

#### Product Dimensions & Weight (WxHxD)

Dimensions: 27" x 46" x 29<sup>5</sup>/<sub>16</sub>"  
Weight: 143.3 lbs

#### Shipping Dimensions & Weight (WxHxD)

Dimensions: 29<sup>9</sup>/<sub>16</sub>" x 48<sup>3</sup>/<sub>16</sub>" x 31<sup>1</sup>/<sub>16</sub>"  
Weight: 154.3 lbs

#### Color

|                       |             |              |
|-----------------------|-------------|--------------|
| Black Stainless Steel | WA52M7750AV | 887276196428 |
| White                 | WA52M7750AW | 887276196435 |

#### Model #

#### UPC Code

#### Matching Dryer (Electric/Gas)

|                       |             |              |
|-----------------------|-------------|--------------|
| Black Stainless Steel | DVE52M7750V | 887276196855 |
| White                 | DVE52M7750W | 887276196862 |
| Black Stainless Steel | DVG52M7750V | 887276197029 |
| White                 | DVG52M7750W | 887276197036 |