

# WF45N5300AV

SAMSUNG

## Samsung Front-Load Washer

4.5 cu. ft. Capacity DOE



### Signature Features

#### VRT Plus™ Technology

- Reduces vibration 40% more than standard VRT™ for quiet washing.

#### Smart Care

- Smart Care interacts with your washer and dryer to perform an immediate diagnosis and offer quick solutions.

#### 4.5 cu. ft. Capacity

- Fewer washes, less time in the laundry room, and more time for you.

### Available Colors



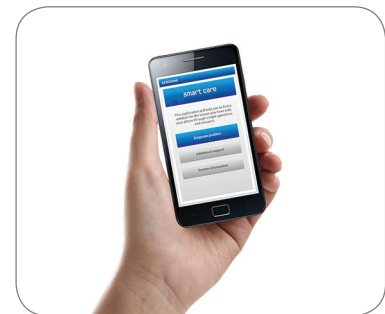
Black Stainless Steel (shown)



White



VRT Plus™ Technology



Smart Care

### Features

- VRT Plus™ Technology
- Smart Care
- 4.5 cu. ft. Capacity
- Self Clean+
- Diamond Drum Design
- 1300 RPM Maximum Spin Speed
- Direct Drive Motor
- 8 Preset Wash Cycles
- 9 Wash Options
- Ice Blue LED Display
- Chrome Door
- 24-Hour Delay Start

### Convenience

- Child Lock
- Door Lock
- Dispenser Trays: Main Wash, Softener, Bleach

### Rating



ENERGY STAR®-rated  
CEE Tier 2  
IMEF = 3.00  
IWF = 2.90  
80 kWh/yr

# WF45N5300AV

# SAMSUNG

## Samsung Front-Load Washer

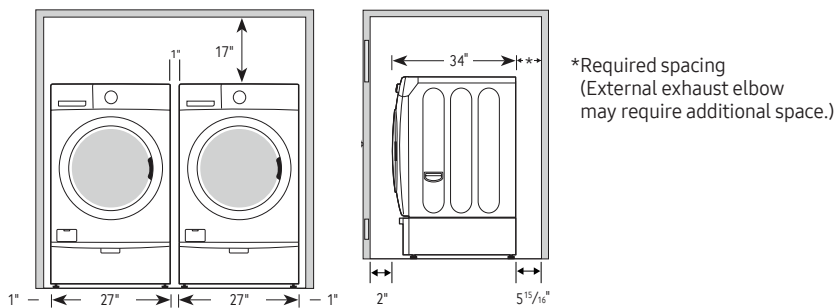
4.5 cu. ft. Capacity DOE

### Installation Specifications

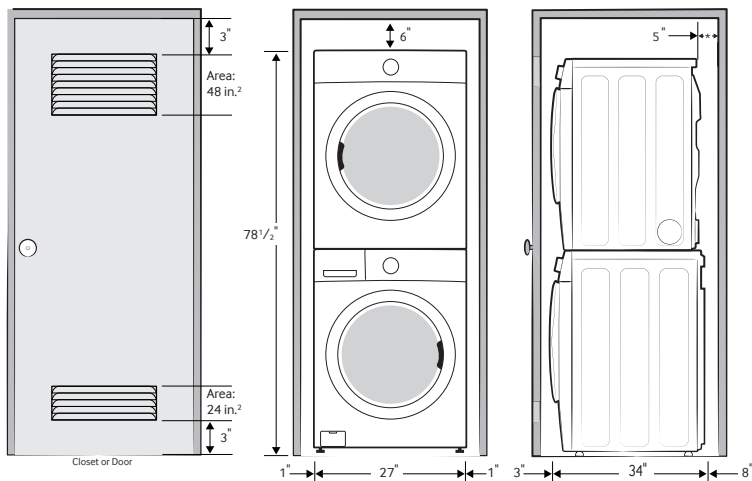
If the washer and dryer are installed together or the dryer alone, the closet front must have two unobstructed air openings for a combined minimum total area of 72-inch<sup>2</sup> (see stacked build below). Your washer alone does not require a specific air opening.

#### 1. Alcove or closet installation

Minimum Clearance for Closet and Alcove Installations:

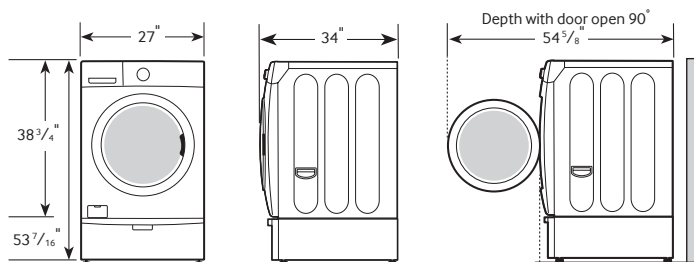


#### 2. With stacked washer and dryer



### Dimensions

Required Dimensions for Installation with Pedestal:



#### 8 Preset Wash Cycles:

Normal, Heavy Duty, Permanent Press, Bedding, Delicates, Quick Wash, Active Wear, Rinse and Spin

#### 9 Options:

Self Clean+, Delay End, My Cycle, Extra Rinse, Extra Spin, Sound Off, Spin Only, Child Lock, Smart Care

#### 4 Temperature Settings:

Hot, Warm, Cool, Cold

#### 4 Spin Settings:

High, Medium, Low, No Spin

#### 3 Soil Settings:

Heavy, Normal, Light

#### Dispenser Trays:

Main Wash, Softener, Bleach

#### Warranty

One (1) Year Parts and Labor  
Three (3) Years Stainless Steel Drum (Part Only)  
Ten (10) Years Direct Drive Motor (Part Only)

#### Product Dimensions & Weight (WxHxD)

Dimensions: 27" x 38 3/4" x 34"

Weight: 218 lbs

#### Shipping Dimensions & Weight (WxHxD)

Dimensions: 29 3/8" x 41 5/8" x 35 5/8"

Weight: 225 lbs

#### Color

Black Stainless Steel

White

#### Model #

WF45N5300AV

WF45N5300AW

#### UPC Code

887276252421

887276250953

#### Matching Electric Dryer

Black Stainless Steel

White

DVE45N5300V

DVE45N5300W

887276256160

887276256177

#### Matching Gas Dryer

Black Stainless Steel

White

DVG45N5300V

DVG45N5300W

887276256191

887276256207