

# WH46DBH500GV

**SAMSUNG**

**Bespoke AI Laundry Hub™ 4.6 cu. ft. Large Capacity Single Unit Washer with Flex Auto Dispense System and 7.6 cu. ft. Gas Dryer in Brushed Black**



## Available Color



**Brushed Black**

## Washer Features

- Laundry Hub™ with Easy Reach Control Panel
- AI OptiWash™
- Flex Auto Dispense System
- Super Speed Wash
- 4.6 cu. ft. Large Capacity
- Wi-Fi Connectivity with SmartThings\*
- Steam Wash
- 20-Year Motor Warranty\*\*
- Energy Star® Certified
- AI Smart Dial
- Self Clean+
- 1200 RPM Maximum Spin Speed
- DIT Motor

## Dryer Features

- AI Optimal Dry
- Super Speed Dry
- Vent Sensor
- Sensor Dry
- Drum Light
- Lint Filter Alert
- Wi-Fi Connectivity with SmartThings\*
- 2-Way Venting (Back, Left)
- Energy Star® Certified


## Convenience

- Child Lock
- Filter Check Indicator
- Dispenser Trays: Main Wash, Bleach, Auto Detergent, Auto Softener

Warranty		
Washer	Dryer	
One (1) Year Parts and Labor Three (3) Years Stainless Steel Tub (Part Only) Twenty (20) Years Washing DIT (Digital Inverter Motor) Motor Part (Part Only)	One (1) Year Parts and Labor	
Dimensions (WxHxD) & Weight		
Product Dimensions	27" x 74 <sup>7</sup> / <sub>16</sub> " x 31 <sup>3</sup> / <sub>8</sub> "	
Product Weight	319.7 lbs	
Shipping Dimensions	29 <sup>3</sup> / <sub>8</sub> " x 81 <sup>15</sup> / <sub>16</sub> " x 34 <sup>1</sup> / <sub>8</sub> "	
Shipping Weight	330.7 lbs	
UPC		
Brushed Black with Gas Dryer	WH46DBH500GV	887276814537
Brushed Black with Electric Dryer	WH46DBH500EV	887276814520
Optional Vent Kit	DV-2A	887276146416
Gas to Propane Converter Kit	LPKIT-4	887276352787

Washer Cycles/Settings	
24 Total Washing Cycles	Normal, AI OptiWash, Heavy Duty, Bedding, Perm Press, Delicates, Activewear, Wool, Towels, Eco Cold, Rinse + Spin, Self Clean+, Small Load, Colors, Spin Only, Denim, Super Speed, Steam Sanitize, Steam Allergen, Steam Normal, Power Steam, Steam Whites, Steam Bulky, Power Rinse
18 Options	Pre Soak, Extra Rinse, My Cycles, Delay End, Smart Monitor, Super Speed, Drum Light, Child Lock, Dispenser 1, Dispenser 2, Pump Clean, AI Pattern, Calibration, Self Diagnosis, Volume, Language, Wi-Fi, Factory Reset
5 Temperature Settings	Extra Hot, Hot, Warm, Cold, Tap Cold
5 Spin Settings	Extra High, High, Medium, Low, Extra Low
5 Soil Settings	Extra Heavy, Heavy, Normal, Light, Extra Light

Dryer Cycles/Settings	
18 Preset Drying Cycles	AI Optimal Dry, Super Speed, Eco Normal, Normal, Heavy Duty, Towels, Perm Press, Activewear, Bedding, Delicates, Wool, Sanitize, Shirts, Denim, Time Dry, Air Fluff, Small Load, Rack Dry
13 Options	Damp Alert, Wrinkle Prevent, My Cycles, Smart Monitor, Eco Dry, Drum Light, Child Lock, Volume, AI Pattern, Wi-Fi, Language, Vent Blockage Test, Factory Reset
5 Temperature Settings	High, Medium, Medium Low, Low, Extra Low
5 Drying Levels	Very Dry, More Dry, Normal Dry, Less Dry, Damp Dry

Ratings	Electrical Requirements	
Washer	Washer	Dryer
CEE Tier 3	120 V / 60 Hz	120 V / 60 Hz
IMEF = 3.10		
IWF = 2.9		
95 kWh/yr	15 Amps	15 Amps
		

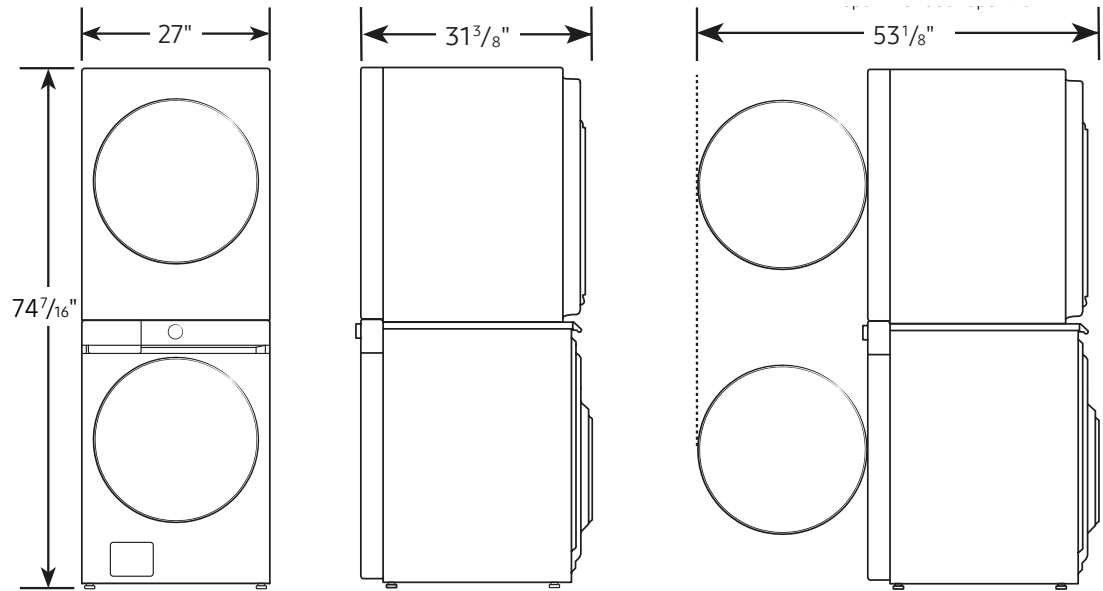
\*Available on Android and iOS devices. A Wi-Fi connection and a Samsung account are required. Only monitoring enabled on Gas dryers for safety reasons.

\*\*20-year warranty limited to the Digital Inverter Motor purchased on 7/1/2022 or later. Purchase receipt indicating purchase date required for a claim. Additional restrictions and limitations apply, see warranty for details.

# WH46DBH500GV

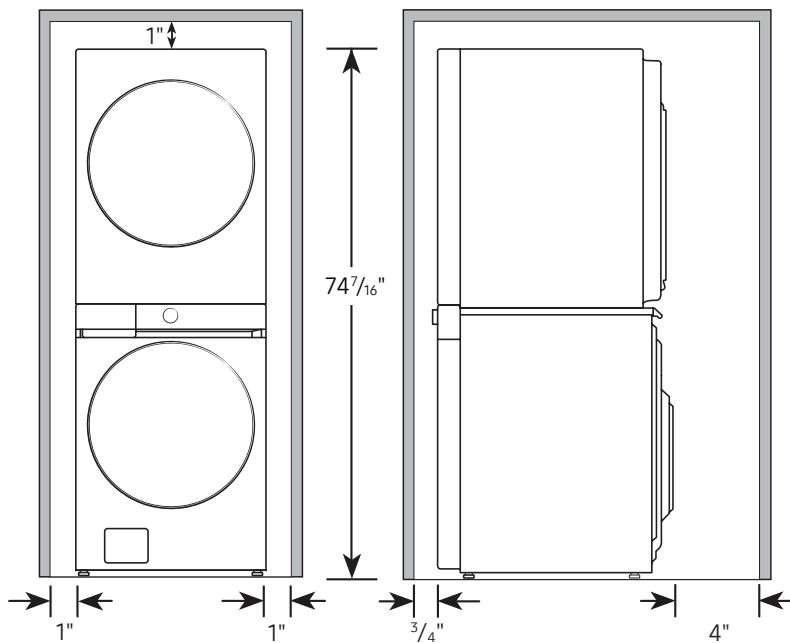
Bespoke AI Laundry Hub™ 4.6 cu. ft. Large Capacity Single Unit Washer with Flex Auto Dispense and 7.6 cu. ft. Gas Dryer in Brushed Black

## Dimensions



## Alcove or Closet Installation

The front of the alcove or closet must have two unobstructed air openings for a combined minimum total area of 72 in.<sup>2</sup>



## Connection Dimensions\*

Back and side views

\*Measurements are approximations for frame only.

LEGEND:	
<span style="color: blue;">●</span>	Cold Water Connection
<span style="color: red;">●</span>	Hot Water Connection
<span style="color: orange;">●</span>	Gas Connection
<span style="color: green;">●</span>	Power Cord

