

WA55CG7500AE

SAMSUNG

5.5 cu. ft. Extra-Large Capacity Smart Top Load Washer with Auto Dispense System



Available Color



Features

- Auto Dispense System
- Extra-Large 5.5 cu. ft. Capacity
- Super Speed Wash
- Wi-Fi Connectivity With SmartThings*
- Active WaterJet
- 20-Year Motor Warranty**
- Deep Fill
- Vibration Reduction Technology+
- Swirl+ Tub Interior
- Self Clean
- Soft-Close Lid
- ENERGY STAR® Certified
- Stainless Steel Pulsator
- Smart Care***
- Accessibility (AUI, Braille)
- 750 RPM Maximum Spin Speed
- Digital Inverter Motor
- 17 Total Washing Cycles
- 11 Washing Options

Convenience

- Child Lock
- Dispenser Trays: Main Wash, Softener, Bleach, Auto Detergent, Auto Softener

Ratings



ENERGY STAR® Rated:

IMEF = 2.3

IWF = 3.8

120 kWh/yr

Electrical Requirements

120 V / 60 Hz

15 Amps

Specifications

12 Preset Washing Cycles:

Normal, Bedding/Waterproof, Heavy Duty, Colors, Whites, Activewear, Delicates, Quick Wash, Self Clean, Rinse + Spin, Deep Wash, Downloaded

5 Downloadable Washing Cycles:

Permanent Press, Wool, Eco Cold, Denim, Power Rinse

11 Washing Options:

Delay End, Presoak, Sound On/Off, Child Lock, Deep Fill, Super Speed, Smart Care, Smart Control, Spin Only, Detergent (Auto Dispense System), Softener (Auto Dispense System)

5 Temperature Settings:

Hot, Warmer, Warm, Cool, Cold

5 Soil Settings:

Heavy, Heavy Medium, Normal, Low Medium, Light

5 Spin Settings:

High, Medium High, Medium, Low, No Spin

Warranty

One (1) Year Parts and Labor

Three (3) Years Stainless Steel Tub (Part Only)

Twenty (20) Years Washing DIT (Digital Inverter Motor) Motor Part (Part Only)

Product Dimensions & Weight (WxHxD)

Dimensions: 27⁹/₁₆" x 45¹³/₁₆" x 29⁷/₁₆"

Weight: 134.5 lbs

Shipping Dimensions & Weight (WxHxD)

Dimensions: 30¹/₈" x 47¹¹/₁₆" x 31¹/₄"

Weight: 143.3 lbs

Washer	Model #	UPC Code
Ivory	WA55CG7500AE	887276760391
Matching Electric Dryer		
Ivory	DVE55CG7500E	887276764795
Matching Gas Dryer		
Ivory	DVG55CG7500E	887276764801

*Available on Android and iOS devices. A Wi-Fi connection and a Samsung account are required.

**20-year warranty limited to the Digital Inverter Motor purchased on 7/1/2022 or later. Purchase receipt indicating purchase date required for a claim. Additional restrictions and limitations apply, see warranty for details.

***Requires Samsung Smart Washer/Dryer App. The Samsung Smart Washer/Dryer App supports Android OS 2.3.6 or later and iOS 3 or later for iPhone models. Samsung Smart Washer/Dryer App available in App Store and Play Store.

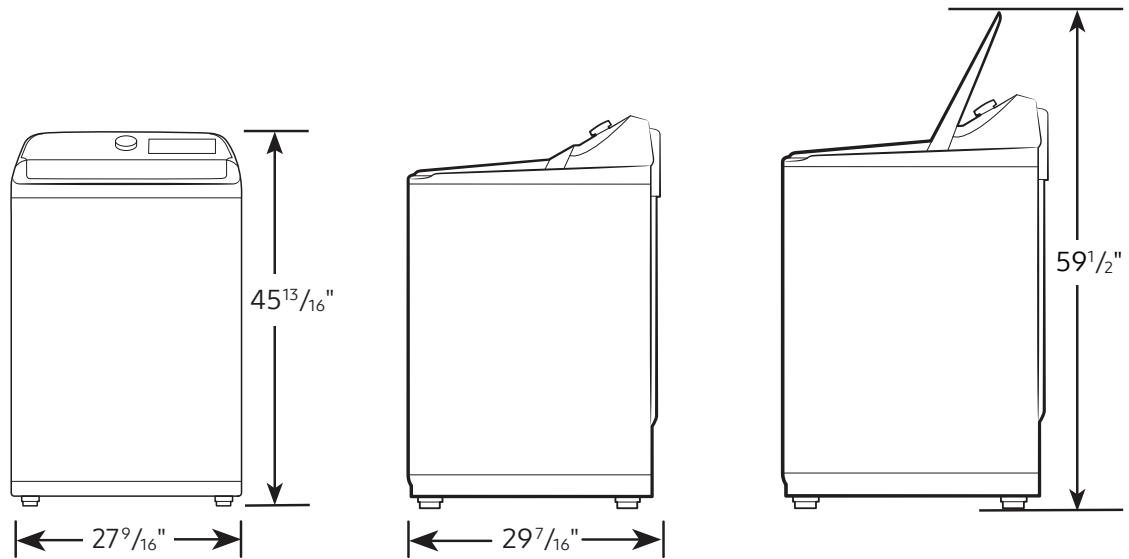
WA55CG7500AE

SAMSUNG

5.5 cu. ft. Extra-Large Capacity Smart Top Load Washer with Auto Dispense System

Dimensions

Required dimensions for installation:

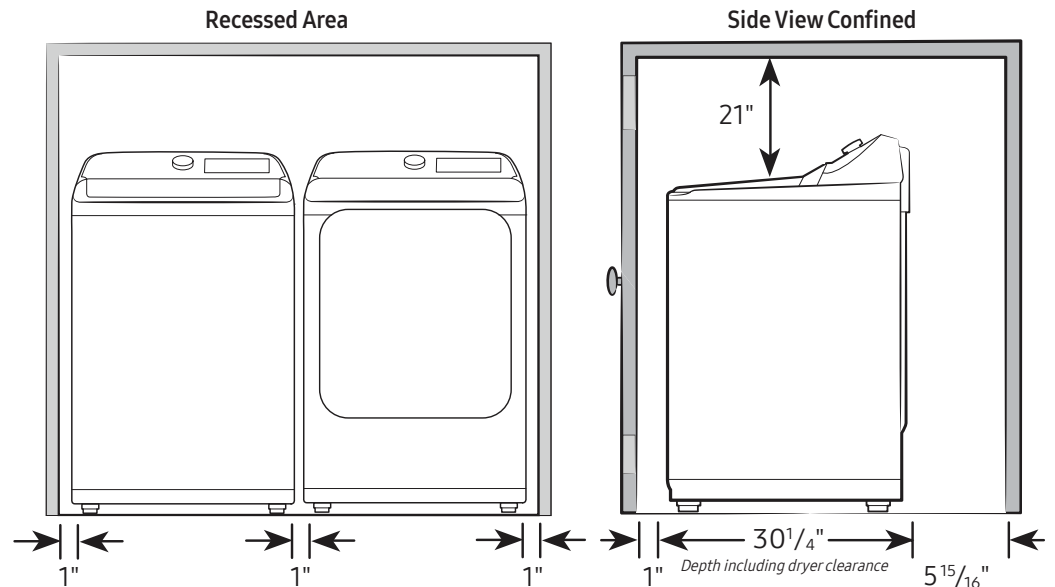


Installation Specifications – Side-by-Side

If the washer and dryer are installed together or the dryer alone, the closet front must have two unobstructed air openings for a combined minimum total area of 72-inch². Your washer alone does not require a specific air opening.

Alcove or closet installation

Minimum clearance for closet and alcove installations:

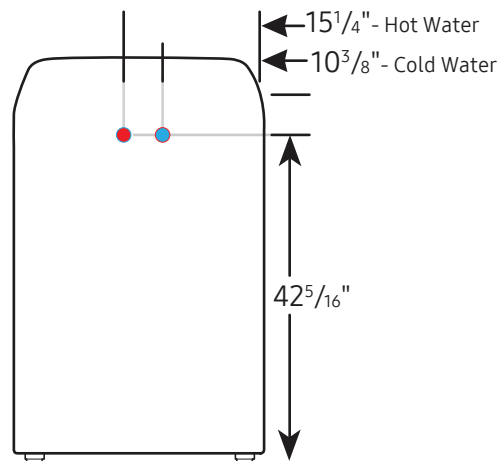


Connection Dimensions

Back view of washer

LEGEND:

- Hot Water Connection
- Cold Water Connection



Actual color may vary. Design, specifications, and color availability are subject to change without notice. Non-metric weights and measurements are approximate.

©2023 Samsung Electronics America, Inc., 85 Challenger Road, Ridgefield Park, NJ 07660. Tel: 800-SAMSUNG.samsung.com. Samsung is a registered trademark of Samsung Electronics Co., Ltd.