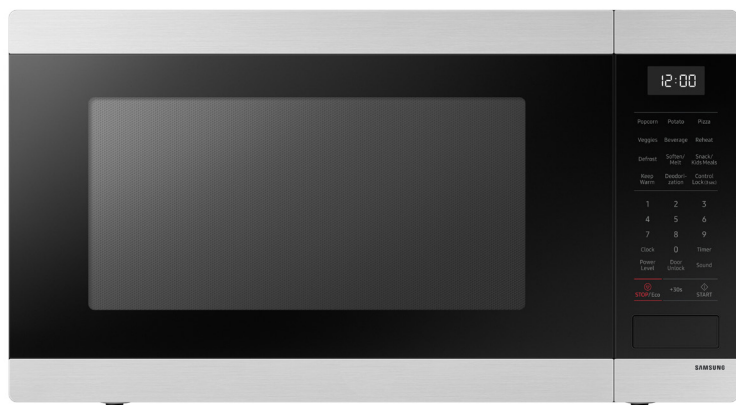


MS19DG8500

SAMSUNG

1.9 cu. ft. Countertop Microwave with Sensor Cook



Available Colors



Stainless Steel
MS19DG8500SR



Matte Black Steel
MS19DG8500MT

Features

- Sensor Cook
- 1.9 cu. ft. capacity
- Fingerprint Resistant Finish
- Ceramic Enamel Interior
- Cooking Presets
- Auto Defrost
- Eco Mode
- LED Display
- 30" Trim Kit Available

Convenience

- Child Safety Lock
- Clock (12 hr/24 hr)
- Kitchen Timer
- Reminder End Signal

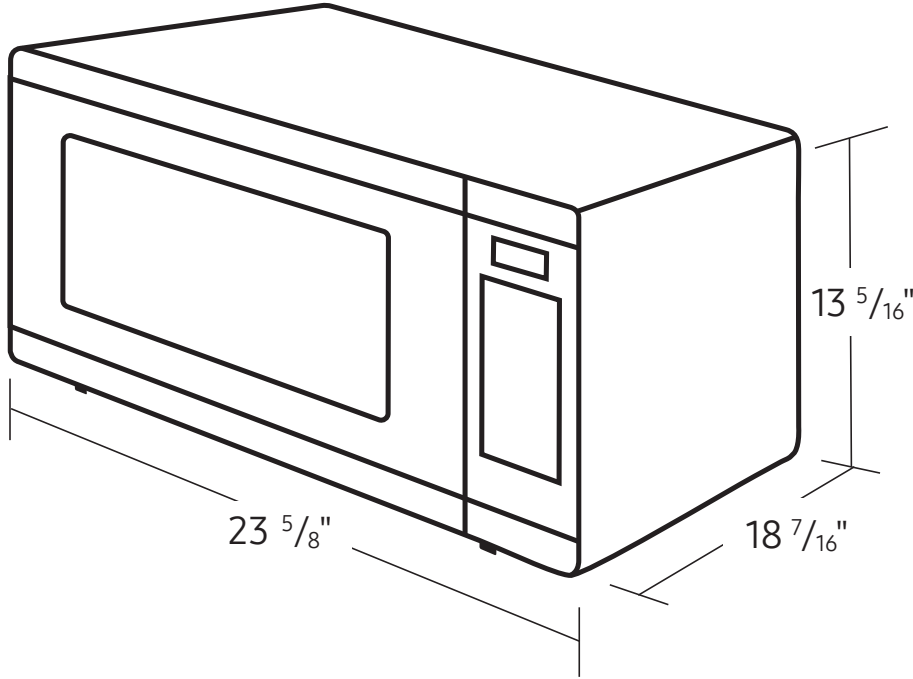
Additional Specifications

- Oven Cavity: 1.9 cu. ft.
- Power Output: 900W
- Power Source: 120V/60HZ
- Power Consumption: 1600W/13.3 A
- Control Method: Electronic Touch
- Display: LED (Ice Blue)
- Cooking Control: 10 Power Levels
- Cooking Timer: Digital
- Microwave Distribution System: Turntable

MS19DG8500

SAMSUNG

1.9 cu. ft. Countertop Microwave with Sensor Cook



Warranty

One (1) Year Parts and Labor

Ten (10) Years Parts Warranty for Magnetron

Dimensions

Product Dimensions & Weight (WxHxD)

Cavity Dimensions: 17²/₃" x 10⁵/₆" x 17⁵/₆"

Outside Net Dimensions: 23⁵/₈" x 13⁵/₁₆" x 18⁷/₁₆"

Weight: 42.5 lbs

Shipping Dimensions & Weight (WxHxD)

Dimensions: 26¹/₄" x 16⁷/₁₆" x 20¹/₄"

Weight: 47.4 lb

Color	Model #	UPC Code
Stainless Steel	MS19DG8500SR	887276868882
Matte Black Steel	MS19DG8500MT	887276868868



Shown with Stainless Steel Trim Kit

30" Trim Kit

Trim Kit Dimensions & Weight (WxHxD)

Dimensions: 29¹³/₁₆" x 20⁵/₆₄" x 1¹/₄"

Weight: 4.2 lbs

Trim Kit Color	Model #	UPC Code
Stainless Steel	MA-TK8020TS	887276224466
Matte Black	MA-TK8020TG	887276224459