

RF27CG5B10SR

SAMSUNG

26 cu. ft. Mega Capacity Counter Depth 3-Door French Door Refrigerator



Signature Features

Mega Counter Depth 26 cu. ft. Capacity

Store more groceries with more room to stay organized. Mega 26 cu. ft. capacity fits big and bulky items and provides easy access to everything you need.

Easy Access External Dispenser

Get easy access to chilled, filtered water and curved or crushed ice with the external water and ice dispenser.

Modern Design

A flat-front design with low-profile door handles and recessed drawer handle fit seamlessly into your kitchen.

Available Color



Fingerprint Resistant
Stainless Steel



Mega 26 cu. ft. Capacity



Two Ice Types:
Curved and Crushed Ice

Design

- Premium External Filtered Water and Ice Dispenser
- Mega Counter Depth Capacity of 26 cu. ft.
- High-Efficiency LED Lighting
- Gallon Door Bin
- Fingerprint Resistant Finish
- Modern, Recessed Handles

Technology

- Wi-Fi Enabled
- Power Cool & Power Freeze
- Door Alarm
- Water Filter Indicator

Performance

- Two Ice Types: Curved and Crushed Ice
- SmartThings Energy*

*Available on Android and iOS devices. A Wi-Fi connection and a Samsung account are required.



ADA Compliant

Rating



ENERGY STAR® rated:
730 kWh/yr

RF27CG5B10SR

SAMSUNG

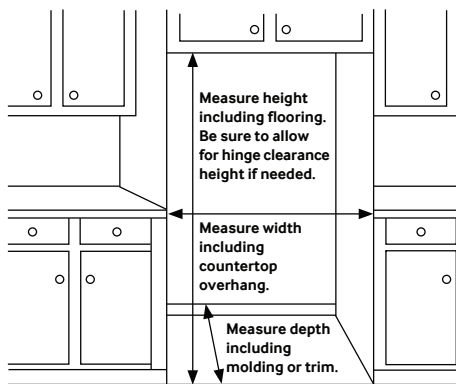
26 cu. ft. Mega Capacity Counter Depth 3-Door French Door Refrigerator

Installation Specifications

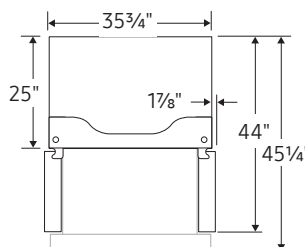
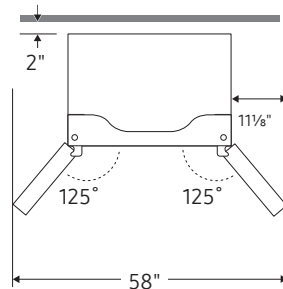
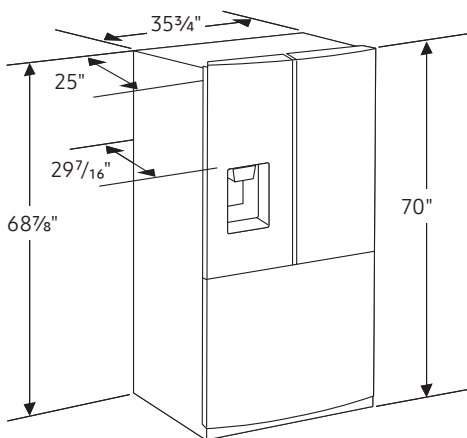
1. Measure the height, width and depth of the opening, making sure to include baseboards, molding tile, countertop overhang, etc. Check to be sure there is enough room to open the door (consider walls, islands or other obstacles when measuring).
2. Refer to illustrations below to determine dimensions.
3. Allow 2.5" of clearance on hinge side of refrigerator when installing next to a wall where handle may make contact.
4. Allow 2" minimum clearance at rear for proper air circulation and water/electrical connections. Allow a 3/8" minimum clearance at top for ease of installation.
5. Ensure each door and entryway in the home is wide enough for the refrigerator to be moved through easily.

For optimal usage and ability to open refrigerator doors completely, do not install next to a wall.

Please note: The following dimensions and cutout information is for planning purposes only. For complete installation details, consult manual packed with product or download manual online at samsung.com.



Dimensions



*Allow 1 7/8" of clearance to enable doors to open 90° when installed next to a wall.

Total Capacity: 25.5 cu. ft.

Refrigerator: 18.0 cu. ft.

- External Filtered Water and Ice Dispenser
- 4 Tempered Glass Spill-Proof Shelves
- Full-Width Drawer
- 2 Clear Drawers
- 7 Door Bins
 - Right: 1 Gallon Bin, 3 Regular Bins
 - Left: 3 Regular Bins
- High-Efficiency LED Lighting

Freezer: 7.5 cu. ft.

- 1 Large Opaque Bin with 1 Divider
- High-Efficiency LED Lighting

Accessories

Water Filter: HAF-QIN

Warranty

One (1) Year Parts and Labor on Refrigerator
Five (5) Years Parts and Labor on Sealed Refrigeration System Only*
Ten (10) Years Parts and Five (5) Years Labor on Digital Inverter Compressor

*Compressor, evaporator, condenser, drier and connecting tubing.

Product Dimensions & Weight

Dimensions (WxHxD with hinges, handles and doors):
35 3/4" x 70" x 29 7/16"

Dimensions (WxHxD without hinges and doors):
35 3/4" x 68 7/8" x 25"

Weight: 275 lbs

Shipping Dimensions & Weight (WxHxD)

Dimensions: 37 3/4" x 75 3/8" x 31 1/2"

Weight: 284 lbs

Color

Fingerprint Resistant
Stainless Steel

Model

RF27CG5B10SR

UPC Code

887276932576