

# RF28R7201SR

SAMSUNG

## 28 cu. ft. 4-Door French Door Refrigerator



### Signature Features

#### FlexZone™ Drawer

A flexible storage drawer with four different temperature settings and an adjustable Smart Divider to stay organized.

#### Family Size Capacity

Store all your family essentials with extra space.

#### Twin Cooling Plus™

Optimizes the temperature and humidity in both the fridge and freezer with an independent cooling system.

### Available Color



Fingerprint Resistant  
Stainless Steel



FlexZone™ Drawer



Family Size Capacity

### Convenience

- FlexZone™ Drawer with 4 Temperature Settings and Smart Divider
- Family Size Capacity – 28 cu. ft.
- Slide-in Shelf
- Auto Pull-Out Upper Freezer Drawer
- Water Filter Indicator

### Design

- Modern External Filtered Water and Ice Dispenser
- High Efficiency LED Lighting
- Accessibility (ADA Compliant)
- EZ-Open Handle™ on Freezer Door and FlexZone™ Drawer
- Tempered Glass Spill-Proof Shelves
- Gallon Door Bins

### Performance

- Twin Cooling Plus™
- Ice Max - Stores up to 4.2 lbs of ice
- Energy Star® Compliant
- Power Freeze and Power Cool Options
- Two Humidity-Controlled Crispers
- CoolTight Door
- Door Alarm



### Rating



ENERGY STAR® rated:  
755 kWh/yr

# RF28R7201SR

# SAMSUNG

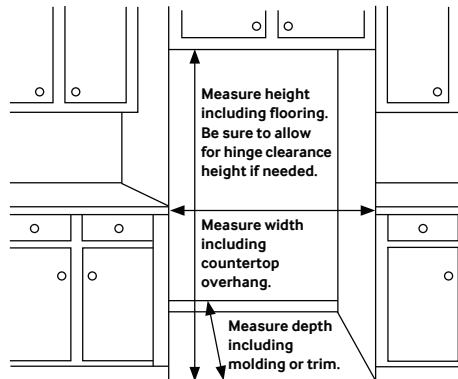
## 28 cu. ft. 4-Door French Door Refrigerator

### Installation Specifications

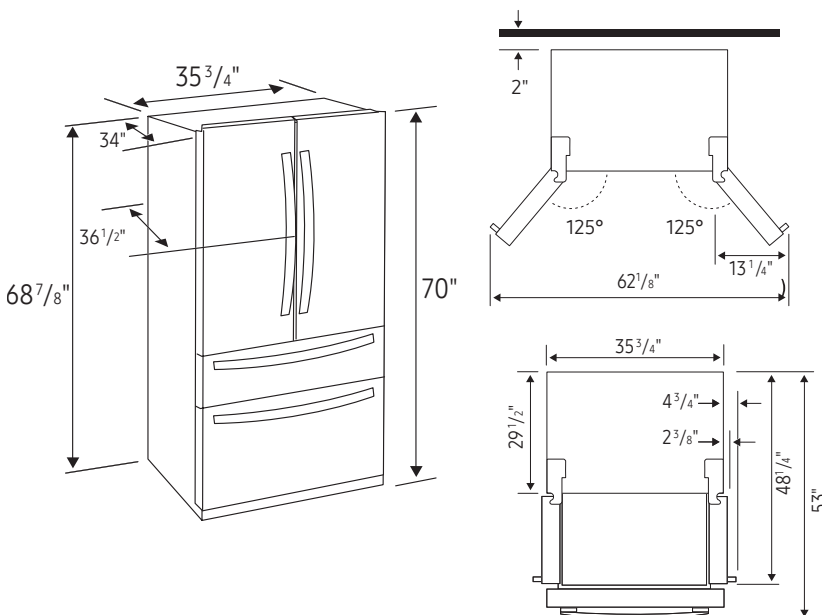
1. Measure the height, width and depth of the opening, making sure to include baseboards, molding tile, countertop overhang, etc. Check to be sure there is enough room to open the door (consider walls, islands or other obstacles when measuring).
2. Refer to illustration below to determine dimensions.
3. Allow 2.5" of clearance on hinge side of refrigerator when installing next to a wall where handle may make contact.
4. Allow 1" minimum clearance at rear for proper air circulation and water/electrical connections. Allow a 3/8" minimum clearance at sides and top for ease of installation.
5. Ensure each door and entryway in the home is wide enough for the refrigerator to be moved through easily.

For optimal usage and to be able to open refrigerator doors completely, do not install next to a wall.

Please note: The following dimension and cutout information is for planning purposes only. For complete installation details, consult manual packed with product, or download manual online at [samsung.com](http://samsung.com).



### Dimensions



**Total Capacity: 28 cu. ft.**

**Refrigerator: 15.9 cu. ft.**

- Modern External Filtered Water and Ice Dispenser
  - Crushed or Cubed Ice
- Ice Max
- 2 Humidity-Controlled Crispers
- 5 Tempered Glass Spill-Proof Shelves
- Slide-in Shelf
- 6 Door Bins
  - Right Door: 3 Gallon Bins
  - Left Door: 3 Regular Bins
- High Efficiency LED Lighting

**FlexZone™ Drawer: 3.8 cu. ft.**

- EZ-Open Handle™
- 4 Temperature Zones with Smart Divider:
  - Meat (30°F)
  - Beverage (34°F)
  - Deli (37°F)
  - Wine (41°F)
- High Efficiency LED Lighting

**Freezer: 8.3 cu. ft.**

- EZ-Open Handle™
- 1 Drawer Divider
- High Efficiency LED Lighting

### Warranty

One (1) Year Parts and Labor on Refrigerator

Five (5) Years Parts and Labor on Sealed Refrigeration System Only\*

Ten (10) Years Parts and Five (5) Years Labor on Digital Inverter Compressor

\*Compressor, evaporator, condenser, drier and connecting tubing.

### Product Dimensions & Weight

Dimensions (WxHxD with hinges, handles and doors): 35<sup>3</sup>/<sub>4</sub>" x 70" x 36<sup>1</sup>/<sub>2</sub>"

Dimensions (WxHxD without hinges and door): 35<sup>3</sup>/<sub>4</sub>" x 68<sup>7</sup>/<sub>8</sub>" x 29<sup>3</sup>/<sub>8</sub>"

Dimensions (WxHxD with hinge and door, no handle): 35<sup>3</sup>/<sub>4</sub>" x 70" x 34"

Weight: 317.5 lbs.

### Shipping Dimensions & Weight (WxHxD)

Dimensions: 38<sup>1</sup>/<sub>4</sub>" x 75<sup>3</sup>/<sub>4</sub>" x 36<sup>1</sup>/<sub>4</sub>"

Weight: 339.5 lbs.

**Color**

Fingerprint Resistant  
Stainless Steel

**Model #**

RF28R7201SR

**UPC Code**

887276304922