

# RT70F18LRSR

SAMSUNG

18 cu. ft. Top Freezer Refrigerator in Stainless Steel



## Signature Features

### All-Around Cooling

- Multi-vent technology keeps items evenly cooled on every shelf.

### Garage-Ready

- Designed to withstand wide fluctuations in external temperatures from 38°F to 110°F, ideal for a garage environment.

### Reversible Door

- Reversible door creates a beautiful streamlined design, customizable for your needs.

## Available Color



Fingerprint Resistant  
Stainless Steel



All-Around Cooling



Garage-Ready

## Features

- AI Energy Mode
- All-Around Cooling
- Garage-Ready
- Wi-Fi Enabled
- ENERGY STAR® Compliant
- True No-Frost Technology
- LED Top Lighting
- Vegetable Bin
- Dairy Bin

## Convenience

- Reversible Door
- Recessed Door Handle
- Sabbath Mode
- Auto Ice Maker Ready

## Rating



ENERGY STAR®-rated:  
343 kWh/yr



ADA Compliant

# RT70F18LRSR

# SAMSUNG

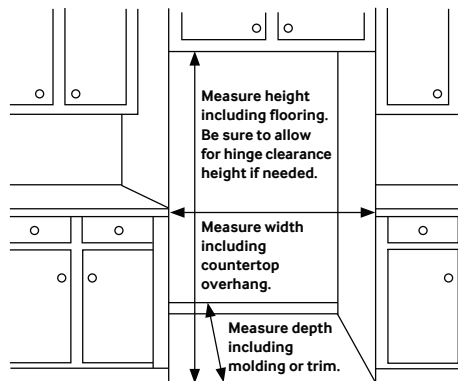
## 18 cu. ft. Top Freezer Refrigerator in Stainless Steel

### Installation Specifications

1. Measure the height, width and depth of the opening, making sure to include baseboards, molding tile, countertop overhang, etc. Check to be sure there is enough room to open the door (consider walls, islands or other obstacles when measuring).
2. Refer to illustration below to determine dimensions.
3. Allow 2" of clearance on hinge side of refrigerator when installing next to a wall.
4. Allow 2" minimum clearance at rear for proper air circulation and water/electrical connections. Allow a 2" minimum clearance at sides and top for ease of installation.
5. Ensure each door and entryway in the home is wide enough for the refrigerator to be moved through easily.

For optimal usage and to be able to open refrigerator doors completely, do not install next to a wall.

Please note: The following dimension and cutout information is for planning purposes only. For complete installation details, consult manual packed with product, or download manual online at [samsung.com](http://samsung.com).



**Total Capacity: 17.5 cu. ft.**

**Refrigerator: 12.9 cu. ft.**

- Dairy Bin
- 2 Vegetable Bins
- LED Top Lighting

**Freezer: 4.6 cu. ft.**

- 1 Glass Shelf

### Warranty

One (1) Year Parts and Labor on Refrigerator  
Five (5) Years Parts and Labor on Sealed Refrigeration System Only\*  
Ten (10) Years Parts and Five (5) Years Labor on Digital Inverter Compressor

\*Compressor, evaporator, condenser, drier and connecting tubing.

### Product Dimensions & Weight

Dimensions (WxHxD with hinges and doors):  
27<sup>5</sup>/<sub>8</sub>" x 66<sup>7</sup>/<sub>8</sub>" x 31<sup>7</sup>/<sub>8</sub>"

Weight: 158 lbs.

### Shipping Dimensions & Weight (WxHxD)

Dimensions: 28<sup>3</sup>/<sub>4</sub>" x 70<sup>1</sup>/<sub>4</sub>" x 32<sup>3</sup>/<sub>4</sub>"

Weight: 161 lbs.

**Color**

Fingerprint Resistant  
Stainless Steel

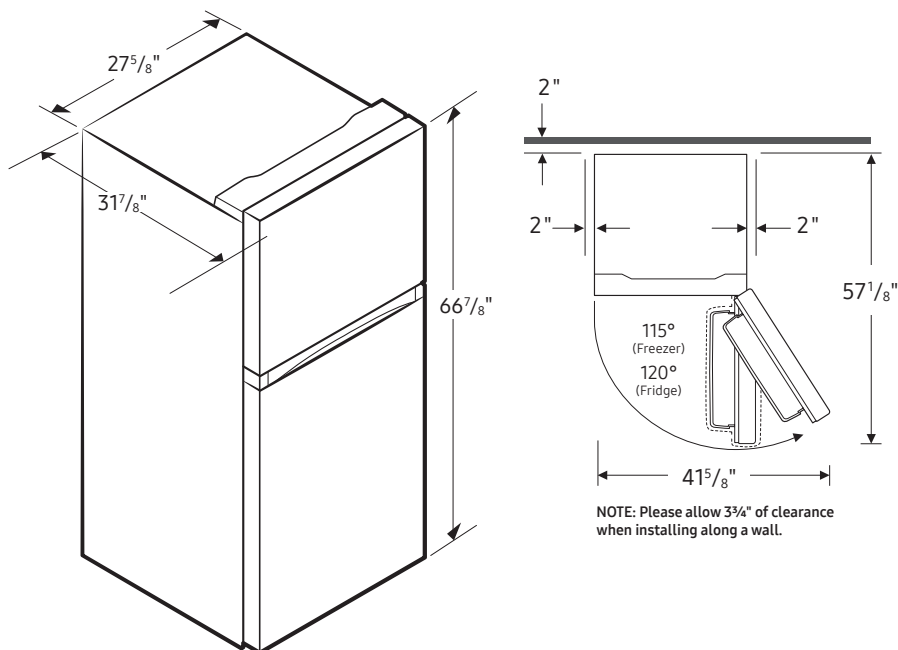
**Model #**

RT70F18LRSR

**UPC Code**

887276944784

### Dimensions



Actual color may vary. Design, specifications, and color availability are subject to change without notice. Non-metric weights and measurements are approximate.

©2025 Samsung Electronics America, Inc. 85 Challenger Road, Ridgefield Park, NJ 07660. Tel: 800-SAMSUNG. [samsung.com](http://samsung.com). Samsung is a registered trademark of Samsung Electronics Co., Ltd.