

## 36" Dual Fuel Professional Range

# NY36R9966

### Available Colors

Fingerprint Resistant Matte Black Stainless Steel (shown)  
Stainless Steel



One touch Steam Cook, easy fill steam tray delivers moisture at precise times for a crisp outside, and tender inside.

Two 22K Brass Dual Power burners offer the versatility of intense heat to quickly boil water or precisely simmer to slowly melt chocolate.

Bluetooth® connectivity automatically starts the hood\* when the range turns on.

\*With compatible Samsung ventilation hood.



Steam Cook



22K Brass Dual Power Burner

### Features

- Dual Convection
- Digi-Touch Controls with PMOLED Display
- LED Ambient Lighting
- Blue LED Illuminated Knobs
- Wok Grate
- 6.3 cu. ft. Capacity
- Soft-Close Door
- 6 Gas Burners
  - Right Front: 22K BTU (Dual Brass)
  - Left Front: 22K BTU (Dual Brass)
  - Center Front: 16K BTU
  - Center Rear: 16K BTU
  - Right Rear: 16K BTU (Dual)
  - Left Rear: 16K BTU (Dual)
- 5 Ladder Rack Positions
- 3 Heavy-Duty Racks including 2 Gliding Racks
- Steam Bread Proofing
- Warming Mode
- Burner On/Off Monitoring
- Wi-Fi Connectivity
- Wi-Fi Enabled Temperature Probe
- LED Spotlights
- Self-Clean, Steam Clean & Hybrid Clean
- Hidden Heating Element
- Sabbath Mode
- Kitchen Timer
- Child Safety Lock
- Sealed Burners
- Auto Re-Ignition
- LP Conversion Kit
- Anti-Tip Device
- ADA Compliant

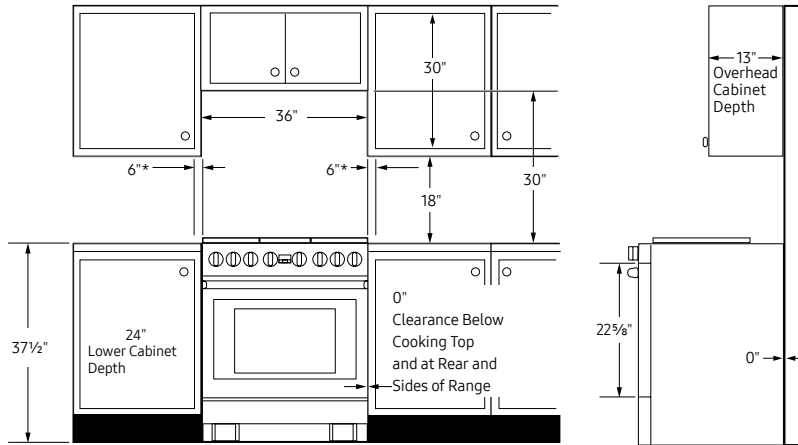


ADA Compliant

## 36" Dual Fuel Professional Range

# NY36R9966

### Installing Your Dual Fuel Professional Range

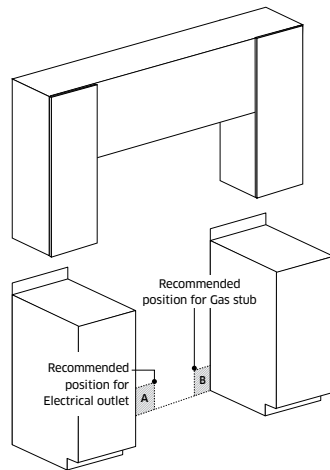


\* Side clearance above cooking surface to any objects, i.e., wall.

30" minimum clearance between the top of the cooking surface and the bottom of an unprotected wood or metal cabinet; or 24" minimum when the bottom of the wood or metal cabinet is protected by not less than 1/4" flame-retardant millboard covered with not less than no. 28 MSG sheet steel, 0.015" stainless steel, 0.024" aluminum or 0.020" copper.

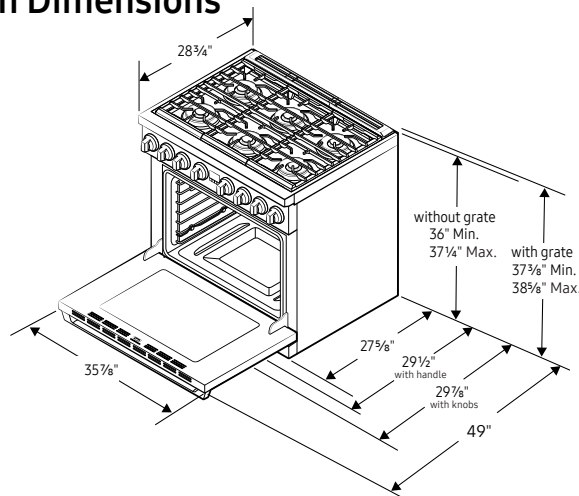
**IMPORTANT:** If overhead cabinets are installed, a range hood should also be installed and project horizontally a minimum of 5" beyond the front of the cabinets. Hood is necessary to dissipate any heat buildup in the overhead cabinets to prevent possibility of fire, personal injury and/or death.

Recommended locations for gas piping and electrical outlets



Model	NY36R9966*
A	Electrical outlet 9 7/8"(W) X 6 7/8"(H) (25.1 cm x 17.5 cm)
B	Gas piping 7 3/8"(W) X 5 3/8"(H) (18.6 cm x 13.8 cm)

### Oven Dimensions



### Total Power (BTU)

108K BTU

### Power Source

240V / 60 Hz / 40A

### 6-Burner Cooktop

- Right Front: 22K BTU (Dual Brass)
- Left Front: 22K BTU (Dual Brass)
- Center Front: 16K BTU
- Center Rear: 16K BTU
- Right Rear: 16K BTU (Dual)
- Left Rear: 16K BTU (Dual)

### Oven

- Hidden Bake Element
- Bake: 150°F - 550°F
- Convection Bake: 150°F - 550°F
- Variable Broil: Low/Med/High
- Convection Roast: 150°F - 550°F
- Pro Convection: 150°F - 550°F
- Steam Bake: 250°F - 550°F
- Steam Roast: 250°F - 550°F
- Keep Warm
- Steam Bread Proofing
- Dehydrate
- Sabbath Mode

### Warranty

Two (2) Year All Parts and Labor

### Product Dimensions & Weight (WxHxD)

Outside (Max) Oven Dimensions:  
35<sup>7</sup>/<sub>8</sub>" x 37<sup>3</sup>/<sub>8</sub>" x 29<sup>7</sup>/<sub>8</sub>"

Weight: 416.2 lbs

### Shipping Dimensions & Weight (WxHxD)

Dimensions:  
38<sup>15</sup>/<sub>16</sub>" x 49<sup>13</sup>/<sub>32</sub>" x 33"

Weight: 493.2 lbs

### Color

Stainless Steel

Fingerprint Resistant  
Matte Black

Stainless Steel

### Model #

NY36R9966PS

NY36R9966PM

### UPC Code

887276292601

887276292595

### 4" High Backguard

NX-AB5460PS

NX-AB5460PM