

WF56H9100AV

SAMSUNG

Samsung Front-Load Washer

5.6 cu. ft. Capacity DOE



Signature Features

Large 5.6 cu. ft. Capacity

- Fewer washes, less time in the laundry room, more time for you.

PowerFoam™

- Enhances your detergent to penetrate and cleanse fabric more deeply.

Super Speed

- Wash a full load in as little as 30 minutes* – 50% faster, without sacrificing cleaning performance.

*Normal 1-hour wash can now be completed in as little as 30 minutes as compared to WF42H5000 washer without Super Speed. Based on DOE standard's average of 7.5 loads per week.

Available Color



Fingerprint Resistant
Black Stainless Steel



PowerFoam™



5.6 cu. ft. Capacity

Features

- PowerFoam™
- Super Speed
- Internal Heater
- Steam Wash
- Smart Care
- VRT Plus™ Technology
- Self Clean+
- Swirl Drum Design
- Direct Drive Motor
- 1300 RPM Maximum Spin Speed
- 15 Preset Wash Cycles
- 13 Options

Convenience

- Drum Light
- Child Lock
- Door Lock
- My Cycle Option
- Dispenser Trays: Prewash, Main Wash, Softener, Bleach

Rating



ENERGY STAR®-rated
CEE Tier 3
IMEF = 3.10
IWF = 2.70
135 kWh/yr

WF56H9100AV

SAMSUNG

Samsung Front-Load Washer

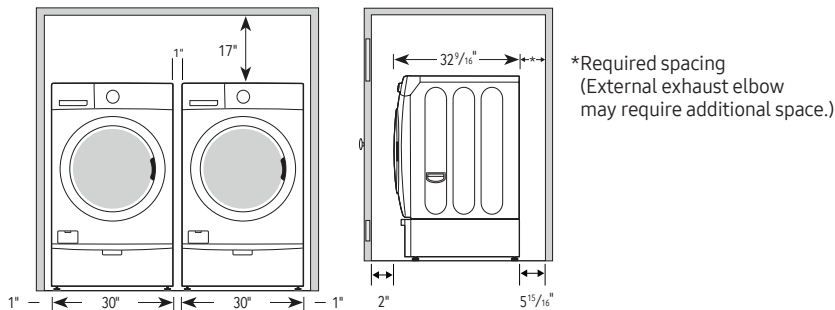
5.6 cu. ft. Capacity DOE

Installation Specifications

If the washer and dryer are installed together or the dryer alone, the closet front must have two unobstructed air openings for a combined minimum total area of 72-inch² (see stacked build below). Your washer alone does not require a specific air opening.

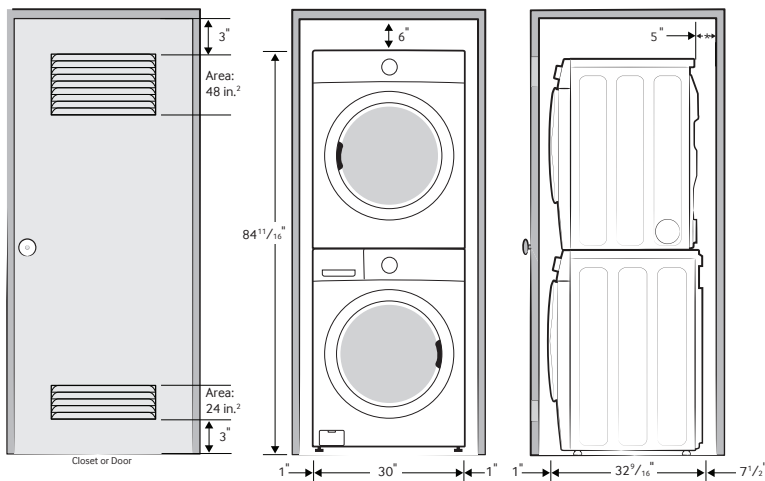
1. Alcove or closet installation

Minimum Clearance for Closet and Alcove Installations:



Required Dimensions for Installation With Pedestal (Model No: WE302NV)

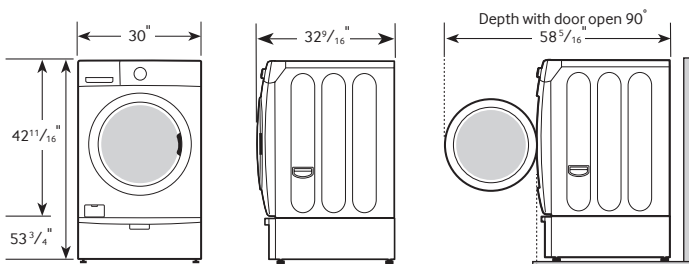
2. With stacked washer and dryer



Required Dimensions for Installation With Stacking Kit (Model No: SKK-BB)

Dimensions

Required Dimensions for Installation with Pedestal:



15 Preset Wash Cycles:

Normal, Heavy Duty, Bedding, Quick Wash, Permanent Press, Delicates, Whites, Sanitize, Allergen, Deep Steam, Active Wear, Wool, Towels, Stain Away, Rinse and Spin

13 Options:

Prewash, Extra Rinse, Extra Spin, Steam, My Cycle, Delay End, Self Clean+, Super Speed, Child Lock, Smart Care, Sound, Drum Light, Spin Only

5 Temperature Settings:

Extra Hot, Hot, Warm, Eco Warm, Cold

5 Spin Settings:

Extra High, High, Medium, Low, No Spin

5 Soil Settings:

Heavy, Heavy Medium, Normal, Low Medium, Light

Dispenser Trays:

Prewash, Main Wash, Softener, Bleach

Warranty

One (1) Year Parts and Labor
Three (3) Years Stainless Steel Drum (Part Only)
Ten (10) Years Direct Drive Motor (Part Only)

Product Dimensions & Weight (WxHxD)

Dimensions: 30" x 42 11/16" x 32 5/16"
Weight: 267 lbs

Shipping Dimensions & Weight (WxHxD)

Dimensions: 31 15/16" x 46 5/16" x 33 5/8"
Weight: 278 lbs

Color

Fingerprint Resistant
Black Stainless Steel

Model

WF56H9100AV

UPC Code

887276293738

Matching Dryer (Electric/Gas)

Fingerprint Resistant
Black Stainless Steel

DV56H9100EV

887276293714

Fingerprint Resistant
Black Stainless Steel

DV56H9100GV

887276296586