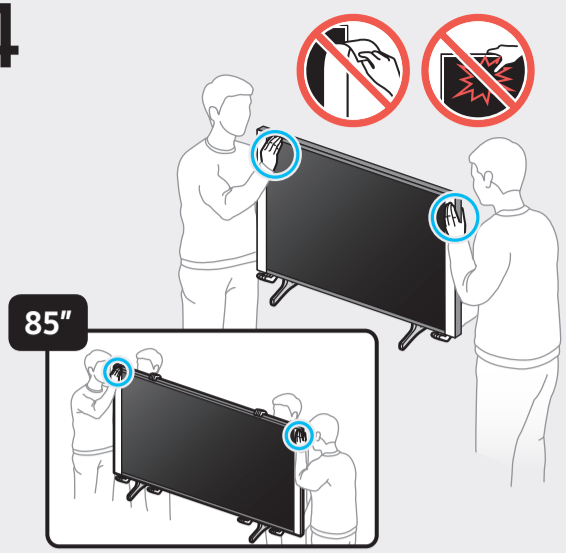
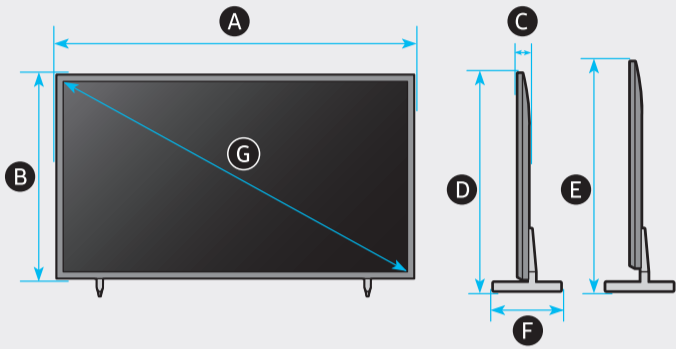
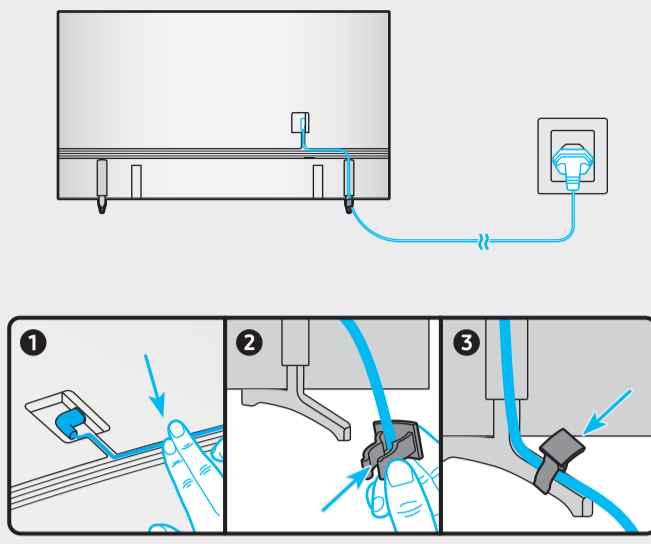


4

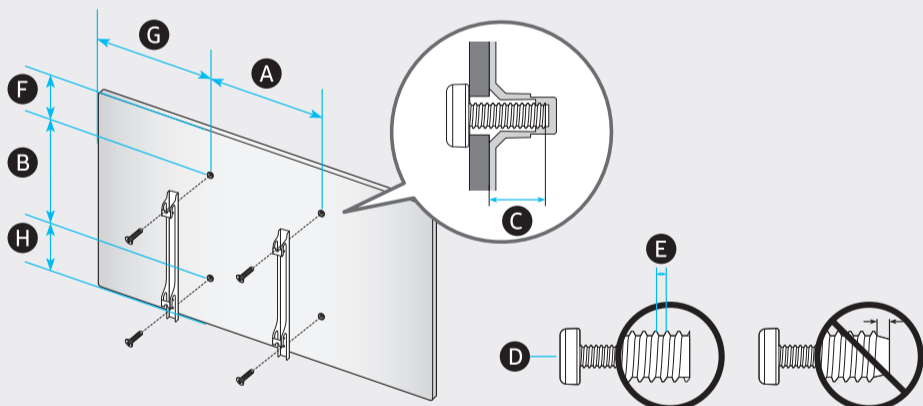
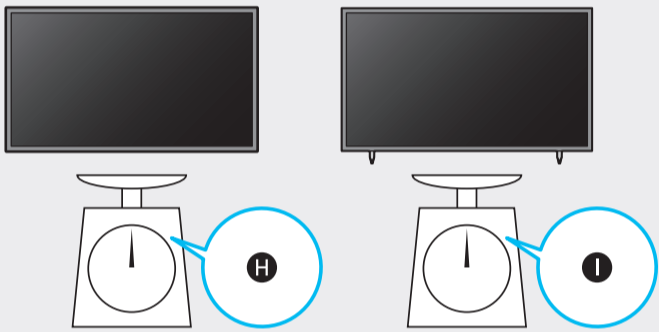


5



| | A | B | C | D | E | F | G | H | I |
|----------|----------------------------|----------------------------|-------------------------|----------------------------|----------------------------|---------------------------|-------------|-----------------------|-----------------------|
| QN75Q6*A | 66.0 inches (1676.7 mm) | 37.8 inches (960.3 mm) | 1.0 inches (26.6 mm) | 39.6 inches (1005.5 mm) | 40.6 inches (1030.5 mm) | 11.4 inches (340.4 mm) | 74.5 inches | 70.8 lbs (32.1 kg) | 73.4 lbs (33.3 kg) |
| QN85Q6*A | 74.8 inches (1900.9 mm) | 42.8 inches (1086.1 mm) | 1.1 inches (26.9 mm) | 44.5 inches (1129.1 mm) | 45.4 inches (1154.1 mm) | 15.6 inches (396.6 mm) | 84.5 inches | 91.5 lbs (41.5 kg) | 96.1 lbs (43.6 kg) |

*: 0-9, A-Z

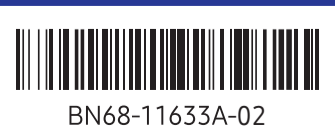


| | VESA A x B (mm) | C (mm) | D x 4 | E (mm) | F (inches) | G (inches) | H (inches) |
|----------|-----------------|--------|-------|--------|------------|------------|------------|
| QN75Q6*A | 400 x 400 | 11-13 | M8 | 1.25 | 10.1 | 25.0 | 11.8 |
| QN85Q6*A | 600 x 400 | | | | 7.5 | 25.5 | 19.3 |

*: 0-9, A-Z

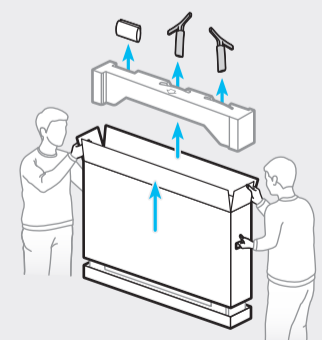
SAMSUNG

QUICK SETUP GUIDE

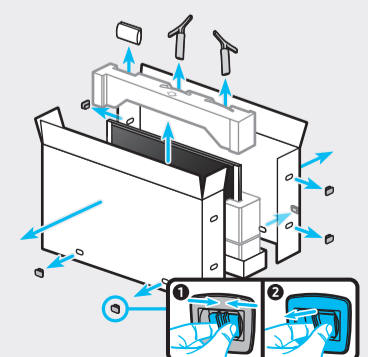


Scan this QR code with your smart phone to see helpful videos.

75"

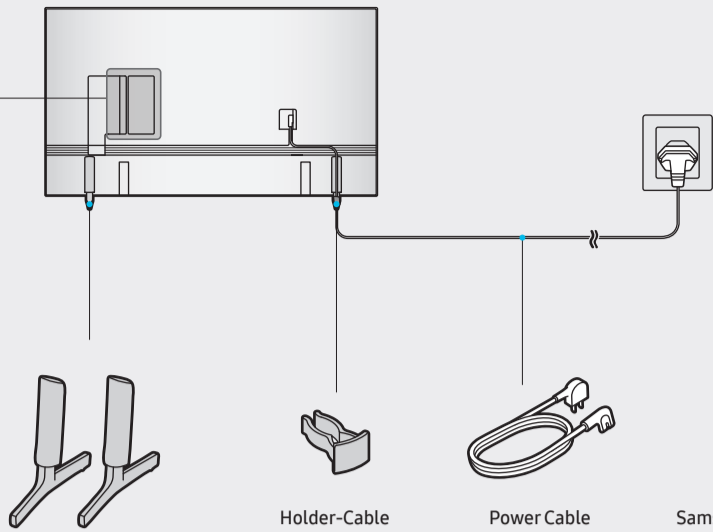


85"





| | | |
|--|--|-------------|
| | | USB +G |
| | | OPTICAL |
| | | HDMI (eARC) |
| | | HDMI |
| | | LAN |
| | | ANT |



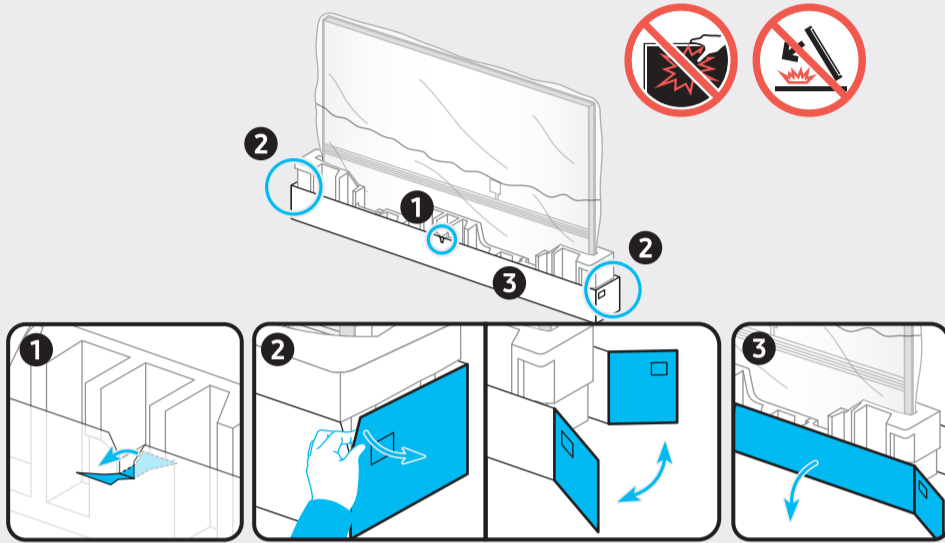
Holder-Cable

Power Cable

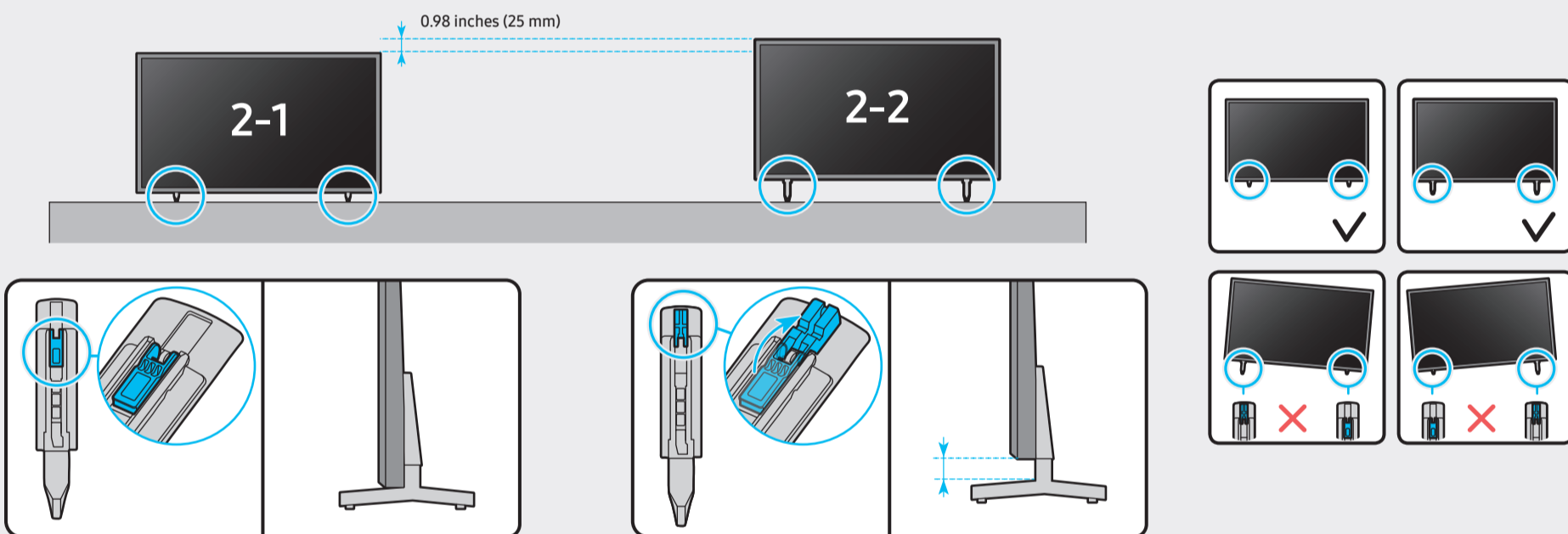
Samsung Smart Remote

User Manual / Regulatory Guide

1



2



3

