

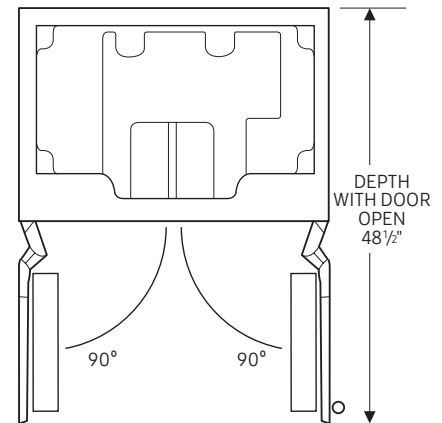
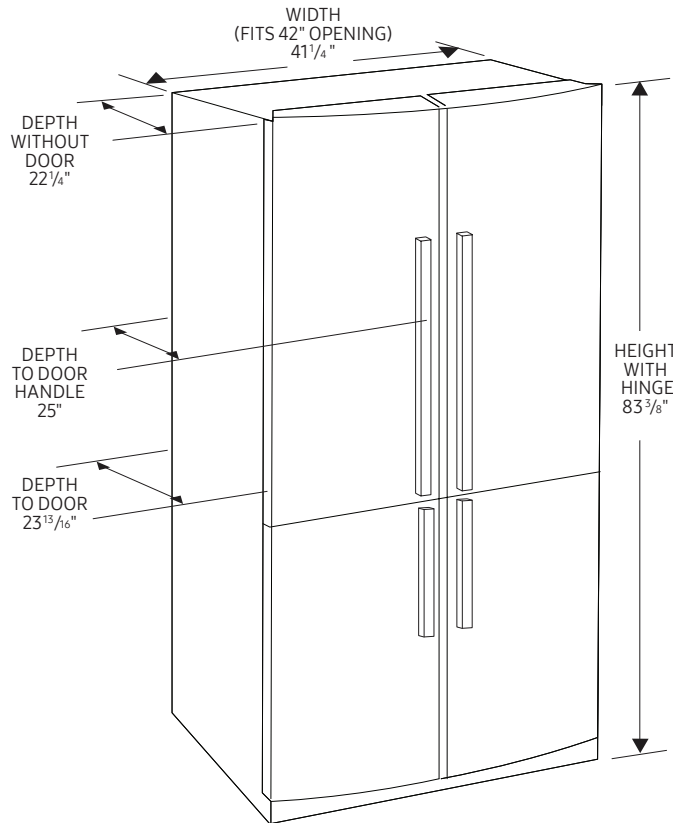
23.5 cu. ft. Built-In 4-Door Flex

SAMSUNG

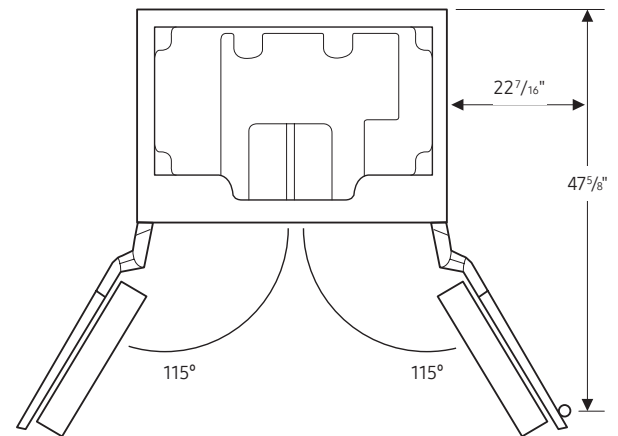
MODEL BRF425200 DIMENSIONS

Be sure your new fridge will fit

Don't wait until delivery to be sure your new refrigerator will fit – both in your kitchen and through all doorways. This guide includes all pertinent measurements and clearances so you can buy with confidence.

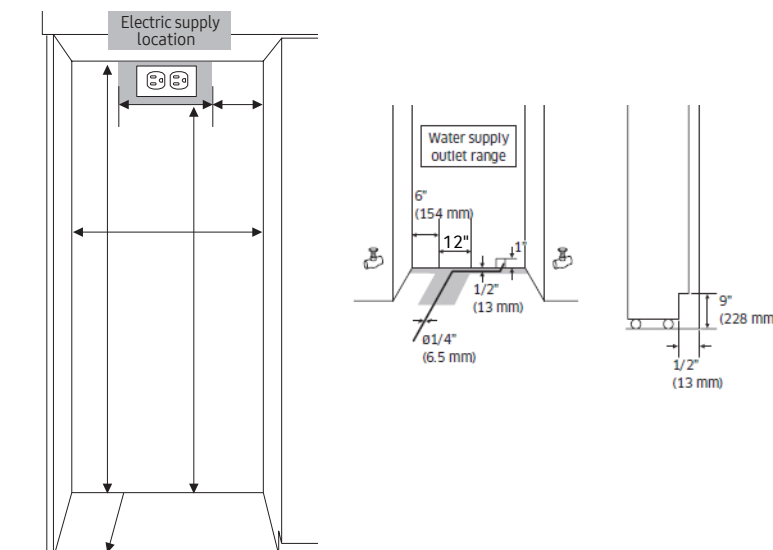


TOP OF REFRIGERATOR WITH DOORS OPEN 115°



Built-In Refrigerator

This type of refrigerator is a sleek, seamless design that will sit flush with your cabinets. If you really want to blend the look of your refrigerator with your kitchen, you can also add a panel that matches the wood finish of your cabinets, this is called "Panel Ready".



Installation clearances

- ✓ Ensure that there is enough space to install the unit and open its door. Measure the height, width and depth of the opening, making sure to include baseboards, molding tile, etc. Consider walls, islands or other obstacles. The floor also needs to be level to prevent the unit from vibrating noisily.
- ✓ Allow 1" minimum clearance at rear for proper air circulation and water/electrical connections.
- ✓ Allow a 3/8" minimum clearance at sides and top for ease of installation.

For optimal usage and ability to open refrigerator doors completely, do not install next to a wall.

Please note: The above dimension and cutout information is for planning purposes only. For complete installation details, consult manual packed with product, or download manual online at samsung.com.

Walk the delivery route

- ✓ Identify the narrowest opening that the appliance will travel, from outside the home to the location where it will be installed.
- ✓ Appliance depth or width must be smaller than the width of the narrowest opening.